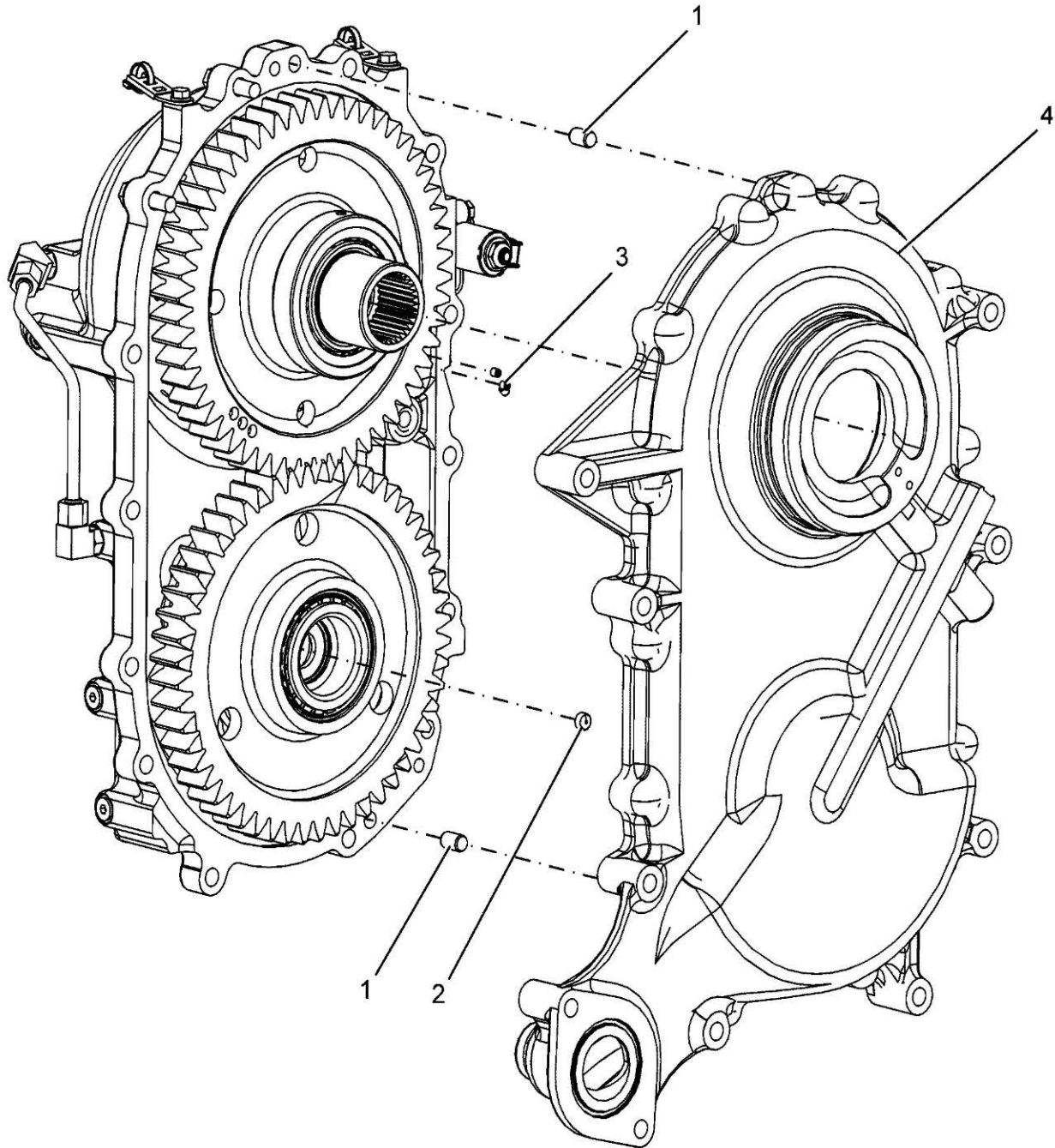


265-5746 - HOUSING ASSEMBLY, FRONT	05-0001
265-5748 - HOUSING ASSEMBLY, REAR	05-0002
4302071M11 - CASE ASSEMBLY	05-0003
503465D1 - POWERTRAIN BOLT LIST	05-0004
507533D1 - TRANSMISSION FILLER GROUP	05-0005
589949D1 - POWERTRAIN OIL FILLER GROUP - LOCK	05-0006
512335D1 - AXLE LUBE STANDPIPE GROUP	05-0007
520858D1 - DRIVESHAFT, PTO ARTICULATED	05-0008
520860D1 - DRIVESHAFT, PTO REAR	05-0009
528682D2 - NEEDLE BEARING/CARBONITRIDE HALF DIFFERENTIAL SERVICE KIT	05-0010
<p>SERVICED AS A KIT ONLY. APPLIES TO ALL TRACTORS WITH 518240D3, 518240D4, 518241D3 AND 518241D4 AXLE ASSEMBLIES.</p>	
534617D2 - INTERMEDIATE DRIVE SHAFT SUPPORT	05-0011
547156D1 - SOLENOID VALVE ASSEMBLY, 3 WAY	05-0012
530814D1 - SHIM PACK KIT, BZ	05-0013
530815D1 - SHIM PACK KIT, AM	05-0014
548160D1 - 3 WAY SOLENOID VALVE	05-0015
246-8149 - CLUTCH GROUP	05-0016
265-5695 - TRANSFER GEAR GROUP	05-0017
265-5695 - TRANSFER GEAR GROUP	05-0018
265-5695 - TRANSFER GEAR GROUP	05-0019
265-5695 - TRANSFER GEAR GROUP	05-0020
265-5695 - TRANSFER GEAR GROUP	05-0021
265-5695 - TRANSFER GEAR GROUP	05-0022
265-5695 - TRANSFER GEAR GROUP	05-0023
265-5695 - TRANSFER GEAR GROUP	05-0024
265-5695 - TRANSFER GEAR GROUP	05-0025
265-5696 - PUMP DRIVE GROUP	05-0026
265-5742 - COVER GROUP, TRANSMISSION	05-0027
267-6618 - YOKE GROUP, INPUT	05-0028
267-6621 - YOKE GROUP, OUTPUT	05-0029
244-7772 - VALVE GROUP, MDL-C, 2011	05-0030
448-4251 - RELIEF VALVE GROUP-C	05-0031
265-5701 - CASE ASSEMBLY, REAR	05-0032
172-7968 - SPOOL ASSEMBLY	05-0033
521094D1 - SIGHT GAUGE	05-0034
547755D1 - SHAFT GROUP - FRONT	05-0035
547757D1 - SHAFT GROUP - REAR	05-0036
559053D1 - DIFFERENTIAL ASSEMBLY - SERVICE KIT	05-0037
<p>APPLIES TO ALL TRACTORS WITH BASIC HVAC.</p>	
555678D1 - SHAFT GROUP - INPUT SHAFT	05-0038
448-4253 - CONTROL GROUP - MT900E	05-0039

448-4253 - CONTROL GROUP - MT900E	05-0040
448-4260-01 - CASE AND PARTS GROUP - PLANETARY	05-0041
448-4260-02 - CASE AND PARTS GROUP - PLANETARY	05-0042
564543D1 - TRANSMISSION FILTER	05-0043
376-3457 - FRONT CASE	05-0044
564618D1 - SIGHT GAUGE INSTALLATION - TRANSMISSION	05-0045
565692D1 - COMPLETING ARRANGEMENT - TRANSMISSION	05-0046
574134D1 - LINES SUPPORT GROUP - WITHOUT POWER TAKE OFF	05-0047
593663D1 - AXLE LUBE LINES GROUP, WITHOUT PTO	05-0048
593640D1 - AXLE LUBE LINES GROUP	05-0049
575578D1 - HYDRAULIC PUMP ARRANGEMENT - TRANSMISSION	05-0050

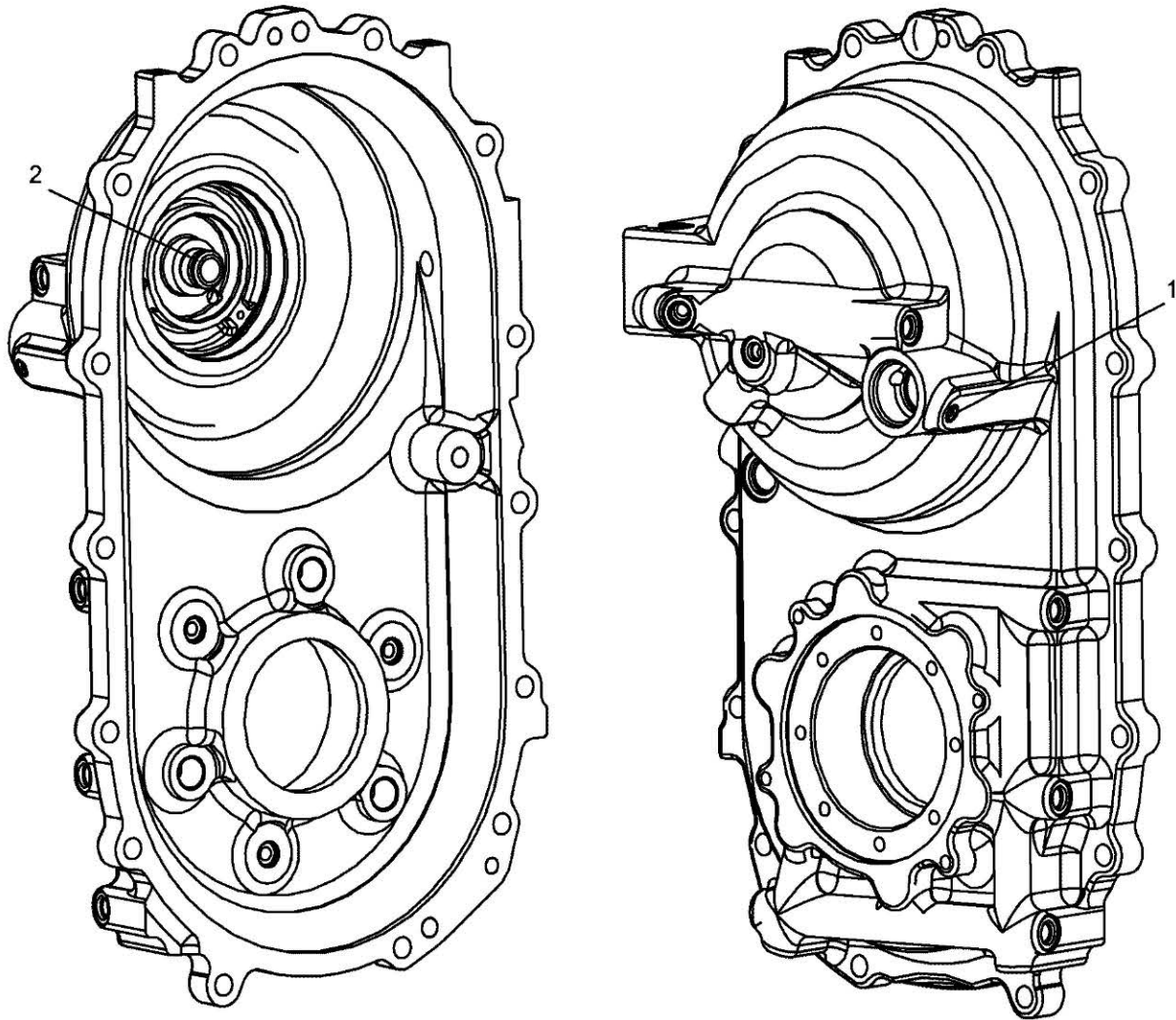
265-5746-2-Y506



265-5746 - HOUSING ASSEMBLY, FRONT

ITEM	PART NUMBER	QTY	DESCRIPTION COMMENTS	TECHNICAL SPECIFICATION
1	3F-0957	2	DOWEL	
2	7T-9986	1	CUP PLUG	
3	147-4414	3	PLUG	
4	313-4900	1	HOUSING	

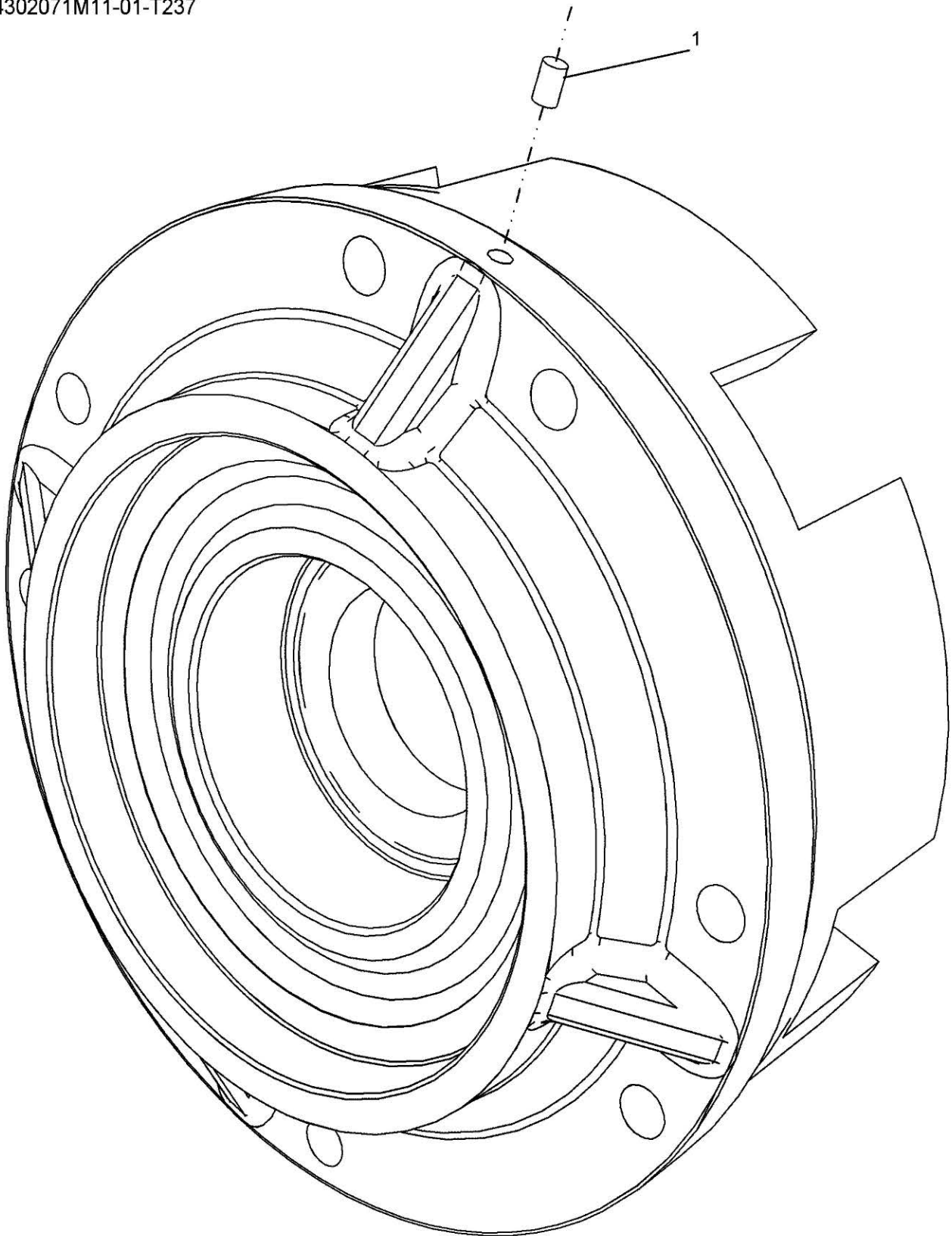
265-5748-01-R540



265-5748 - HOUSING ASSEMBLY, REAR

ITEM	PART NUMBER	QTY	DESCRIPTION COMMENTS	TECHNICAL SPECIFICATION
1	7T-6496	1	PLUG	
2	9P-4857	1	RING	

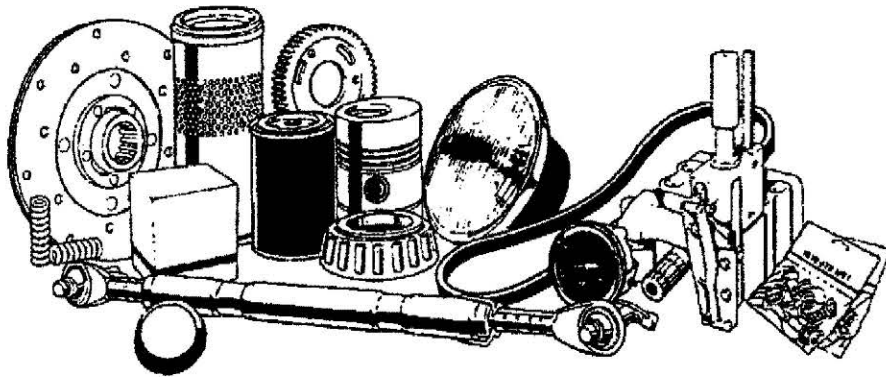
4302071M11-01-T237



ITEM	PART NUMBER	QTY	DESCRIPTION COMMENTS	TECHNICAL SPECIFICATION
1	3388063M2	1	SEAL CAP	6.0 X 5.11/5.92-C. STEEL-ZN

503465D1-05-Z923-01

**Please refer to the
Bill Of Material
on the opposite page
for related Installations,
Assemblies, or Parts**



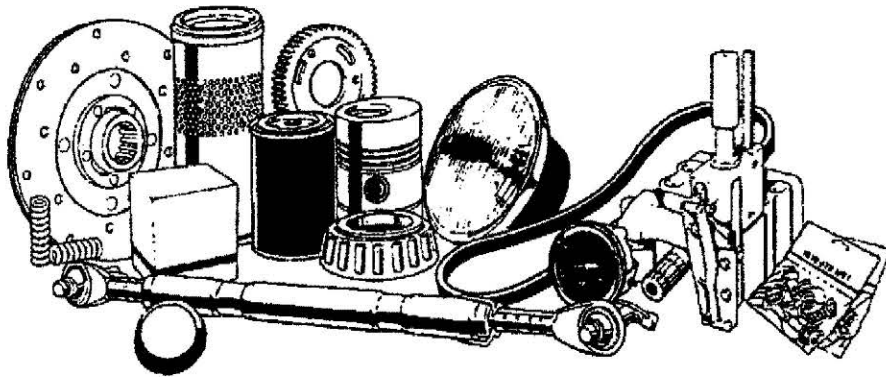
503465D1 - POWERTRAIN BOLT LIST

ITEM	PART NUMBER	QTY	DESCRIPTION COMMENTS	TECHNICAL SPECIFICATION
1	095-0670		BOLT	M12 X 1.75 X 45MM
2	096-6166		WASHER	
3	121-3120		BOLT	12-POINT HD
4	164-2108		FLAT WASHER	
5	164-3912		BOLT LOCK	
6	167-9524		NUT	
7	177-9754		HEXAGONAL HEAD BOLT	M30 X 3.5 X 130MM, CL10.9
8	185-9356		STUD BOLT	
9	199-7178		HEXAGONAL HEAD BOLT	M20 X 2.5 X 270MM, CL10.9
10	215-2900		HEXAGONAL HEAD BOLT	M10 X 1.5 X 130MM
11	285-9066		HEXAGONAL HEAD BOLT	M8X1.25 X 65 MM LG
12	1B-6161		LOCK WASHER	
13	2W-9533		HEXAGONAL HEAD BOLT	M8 X 1.25 X 10MM, CL10.9
14	3E-4353		FLAT WASHER	11MM ID X 25MM OD X 3MM
15	3E-4356		WASHER	17.51MM ID X 30MM OD X 6MM
16	4H-6507		SPANNER NUT	
17	5P-8245		FLAT WASHER	DIAM : 13,5-25,5 X 3 MM
18	6A-5591		BOLT	M12 X 1.75 X 25MM
19	6C-9149		WASHER	
20	6V-1819		BOLT	M10 X 1.5 X 100MM
21	6V-1820		HEXAGONAL HEAD BOLT	M10 X 1.5
22	6V-3532		HEXAGONAL HEAD BOLT	M20 X 2.5 X 60MM, CL10.9
23	6V-3668		BOLT	M12 X 1.75 X 30MM, CL10.9
24	6V-3823		HEXAGONAL HEAD BOLT	M12 X 1.75 X 60MM
25	6V-3940		HEXAGONAL HEAD BOLT	M8 X 1.25 X 25MM
26	6V-4249		HEXAGONAL HEAD BOLT	M10 X 1.5 X 50MM, CL10.9
27	6V-5215		HEXAGONAL HEAD BOLT	M8 X 1.25 X 16MM, CL10.9
28	6V-5218		HEXAGONAL HEAD BOLT	M8 X 1.25 X 35MM
29	6V-5224		BOLT	M16 X 2 X 25MM, CL10.9
30	6V-5684		HEXAGONAL HEAD BOLT	M12 X 1.75 X 45MM, CL10.9
31	6V-5815		HEXAGONAL HEAD BOLT	M10 X 1.5 X 75MM, CL10.9
32	6V-5839		FLAT WASHER	DIAM : 11-21 X 2,5 MM
33	6V-5842		HEXAGONAL HEAD BOLT	M10 X 1.5 X 40MM, CL10.9
34	6V-6317		HEXAGONAL HEAD BOLT	M10 X 1.5 X 20MM, CL10.9
35	6V-7357		BOLT	M6 X 25
36	6V-8084		HEXAGONAL HEAD BOLT	
37	6V-8154		HEXAGONAL HEAD BOLT	M16 X 2 X 150MM, CL10.9
38	6V-8197		HEXAGONAL HEAD BOLT	M12 X 1.75 X 40MM, CL10.9
39	6V-8490		HEXAGONAL HEAD BOLT	M6 X 1 25MM, CL10.9, FT
40	6V-8675		BOLT	M12 X 1.75 X 35MM, CL10.9
41	6V-9189		LOCKNUT	
42	7X-2488		HEXAGONAL HEAD BOLT	M20 X 2.5 X 160MM, CL10.9
43	7X-2532		BOLT	M20 X 2.5 X 130MM, CL10.9
44	7X-2537		HEXAGONAL HEAD BOLT	M8 X 1.25 X 35MM, CL10.9
45	7X-2553		HEX CAP SCREW	M16 X 40

05-0004
DRIVE TRAIN SYSTEM

503465D1-05-Z923-01

**Please refer to the
Bill Of Material
on the opposite page
for related Installations,
Assemblies, or Parts**



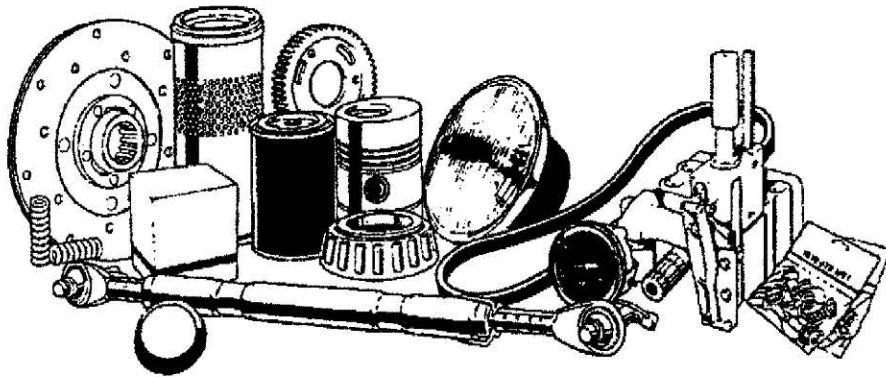
503465D1 - POWERTRAIN BOLT LIST

ITEM	PART NUMBER	QTY	DESCRIPTION COMMENTS	TECHNICAL SPECIFICATION
46	7X-2554		HEXAGONAL HEAD BOLT	M16 X 2 X 70MM, CL10.9
47	7X-2556		HEXAGONAL HEAD BOLT	M16 X 2 X 100MM, CL10.9
48	7X-2557		HEXAGONAL HEAD BOLT	M16 X 2 X 140MM, CL10.9
49	7X-2558		BOLT	M16 X 2 X 150MM
50	7X-2559		HEXAGONAL HEAD BOLT	M16 X 2 X 160MM, CL10.9
51	7X-2565		HEXAGONAL HEAD BOLT	M20 X 2.5 X 100MM, CL10.9
52	7X-2566		BOLT	M20 X 2.5 X 110MM, CL10.9
53	7X-2569		HEXAGONAL HEAD BOLT	M20 X 2.5 X 200MM, CL10.9
54	7X-2578		BOLT	M24 X 3 X 200MM, CL10.9
55	8C-8478		HEXAGONAL HEAD BOLT	M20 X 2.5 X 140MM, CL10.9
56	8C-8585		HEX SOCKET BUTTON HEAD BOLT	M10 X 1.5 X 20MM
57	8T-0070		BOLT	M20 X 2.5 X 120MM, CL10.9
58	8T-0100		BOLT	M8 X 1.25 X 60MM, CL10.9
59	8T-0281		BOLT	M16 X 2 X 80MM
60	8T-0282		HEXAGONAL HEAD BOLT	M16 X 2 X 120MM, CL10.9
61	8T-0285		SCREW	M4 X 0.7 X 12MM
62	8T-0355		BOLT	M10 X 1.5 X 110MM
63	8T-0646		HEXAGONAL HEAD BOLT	M12 X 1.75 X 110MM, CL10.9
64	8T-0657		BOLT	
65	8T-1159		BOLT	M10 X 1.5 X 25MM, CL12.9
66	8T-4121		FLAT WASHER	DIAM : 11-21 X 2,5 MM
67	8T-4122		WASHER	17MM ID X 32MM OD X 3.5MM
68	8T-4123		FLAT WASHER	DIAM : 22-35 X 3,5 MM
69	8T-4136		HEX CAP SCREW	M10 X 25
70	8T-4137		HEX CAP SCREW	M10 X 20
71	8T-4139		HEXAGONAL HEAD BOLT	M12 X 1.75 X 30MM, CL10.9
72	8T-4140		HEXAGONAL HEAD BOLT	M16 X 2 X 60MM, CL10.9
73	8T-4141		BOLT	M20 X 2.5 X 70MM, CL10.9
74	8T-4167		WASHER	26ID MM X 44MM OD X 4MM
75	8T-4170		HEXAGONAL HEAD BOLT	M20 X 2.5 X 150MM, CL10.9
76	8T-4176		HEXAGONAL HEAD BOLT	M12 X 1.75 X 90MM, CL10.9
77	8T-4179		HEXAGONAL HEAD BOLT	M12 X 1.75 X 20MM, CL10.9
78	8T-4182		BOLT	M10 X 1.5 X 45MM
79	8T-4183		HEXAGONAL HEAD BOLT	M12 X 1.75 X 40MM, CL10.9
80	8T-4184		BOLT	M12 X 1.75 X 45MM
81	8T-4189		HEXAGONAL HEAD BOLT	M8 X 1.25 X 20MM, CL10.9
82	8T-4191		BOLT	M10 X 1.50 X 16MM
83	8T-4192		BOLT	M12 X 1.75 X 25MM
84	8T-4193		BOLT	M16 X 2 X 50MM
85	8T-4194		BOLT	M12 X 1.75 X 50MM
86	8T-4195		HEXAGONAL HEAD BOLT	M10 X 1.5 X 30MM, CL10.9
87	8T-4200		HEXAGONAL HEAD BOLT	M8 X1.25 X 16, CL10.9
88	8T-4223		FLAT WASHER	DIAM : 13,5-25,5 X 3 MM
89	8T-4224		FLAT WASHER	DIAM : 8,8-16 X 2 MM
90	8T-4648		HEX CAP SCREW	M12 X 70

05-0004
DRIVE TRAIN SYSTEM

503465D1-05-Z923-01

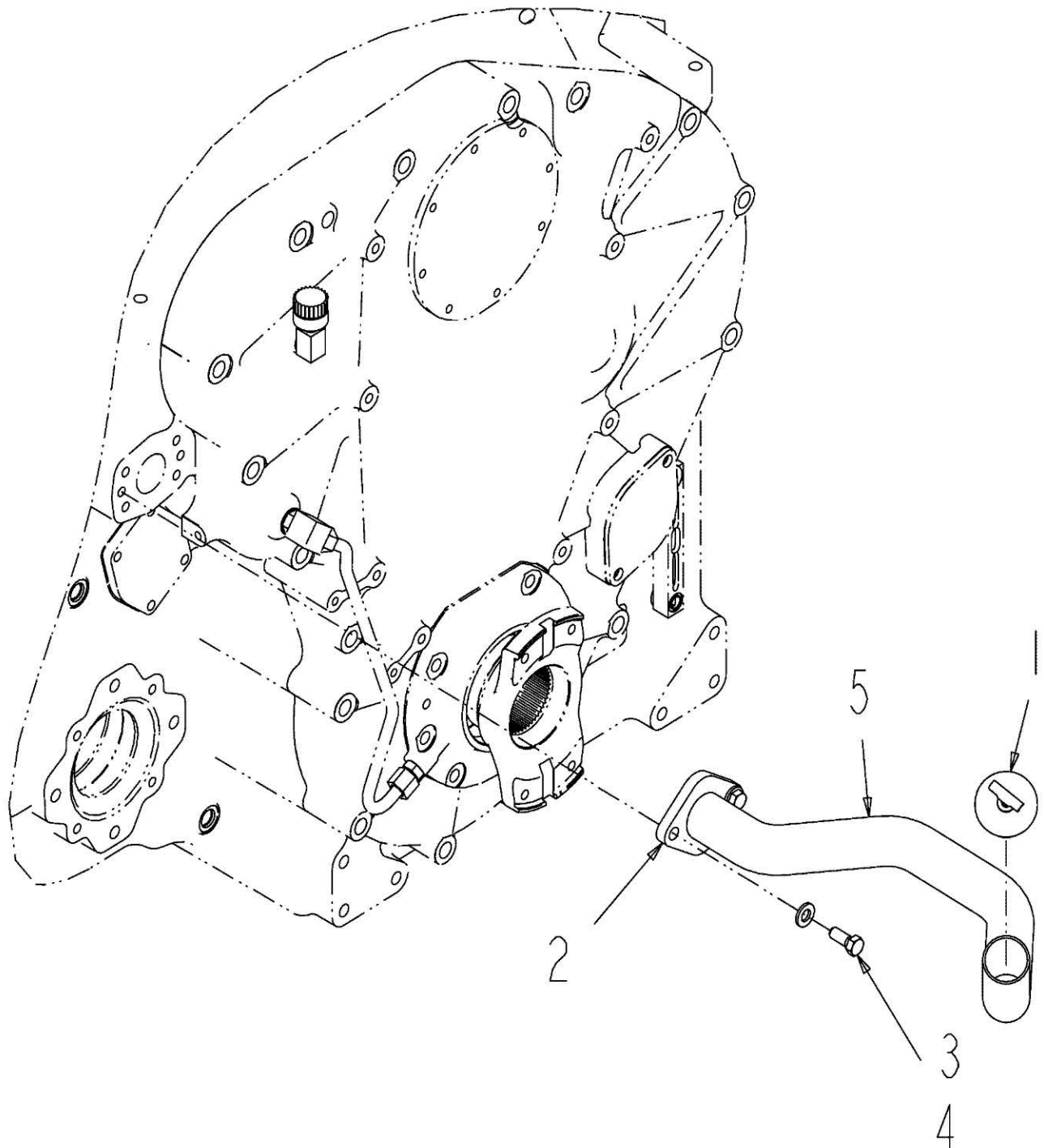
**Please refer to the
Bill Of Material
on the opposite page
for related Installations,
Assemblies, or Parts**



503465D1 - POWERTRAIN BOLT LIST

ITEM	PART NUMBER	QTY	DESCRIPTION COMMENTS	TECHNICAL SPECIFICATION
91	8T-4910		BOLT	M12 X 1.75 X 60MM
92	8T-4956		HEXAGONAL HEAD BOLT	M12 X 1.75 X 35MM, CL10.9
93	8T-5001		HEXAGONAL HEAD BOLT	M12 X 1.75 X 130MM, CL10.9
94	8T-5030		HEXAGONAL HEAD BOLT	M10 X 1.5 X 120MM, CL10.9
95	8T-5041		BOLT	
96	8T-5361		WASHER	
97	8T-5436		HEX CAP SCREW	M10 X 130
98	8T-6466		BOLT	M10 X 1.5 X 60MM, CL10.9
99	8T-6869		HEXAGONAL HEAD BOLT	M8 X 1.25 X 60MM, CL10.9
100	8T-6870		HEXAGONAL HEAD BOLT	M8 X 1.25 X 70MM, CL10.9
101	8T-7338		BOLT	M16 X 2 X 45MM, CL10.9
102	8T-7547		BOLT	M8 X 1.25 X 30MM
103	8T-9515		SOCKET HEAD BOLT	M10 X 1.5 X 40MM, CL10.9
104	9M-1974		FLAT WASHER	DIAM : 8,8-16 X 2 MM
105	9X-8268		FLAT WASHER	17.5MM ID X 30M OD X 3.5MM

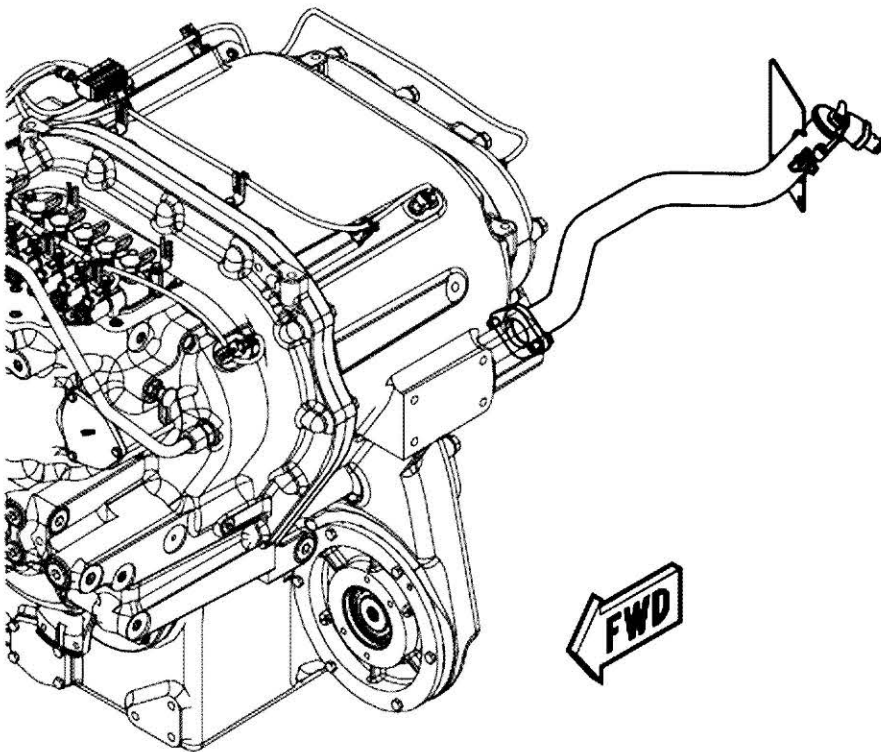
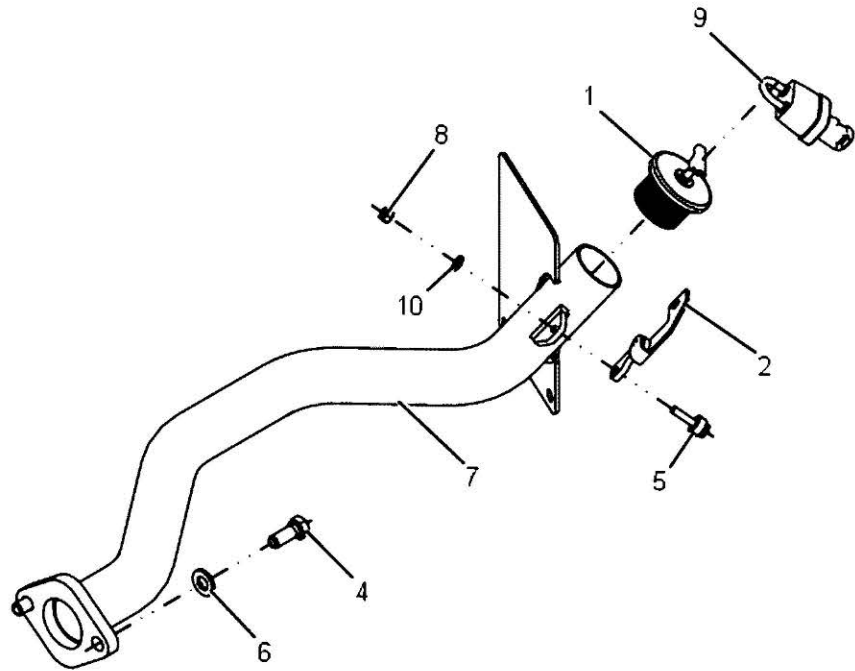
507533D1-01-N387



507533D1 - TRANSMISSION FILLER GROUP

ITEM	PART NUMBER	QTY	DESCRIPTION COMMENTS	TECHNICAL SPECIFICATION
1	159-1236	1	BREATHER CAP	50.8MM OD
2	AG516365	X	LOCTITE	300 ML
3	400041X1	2	HEXAGONAL HEAD BOLT	M12 X 1.75 X 30MM, CL10.9
4	400357X1	2	FLAT WASHER	M12 X 25.5 X 3MM
5	508485D1	1	TUBE TRANSMISSION FILL	

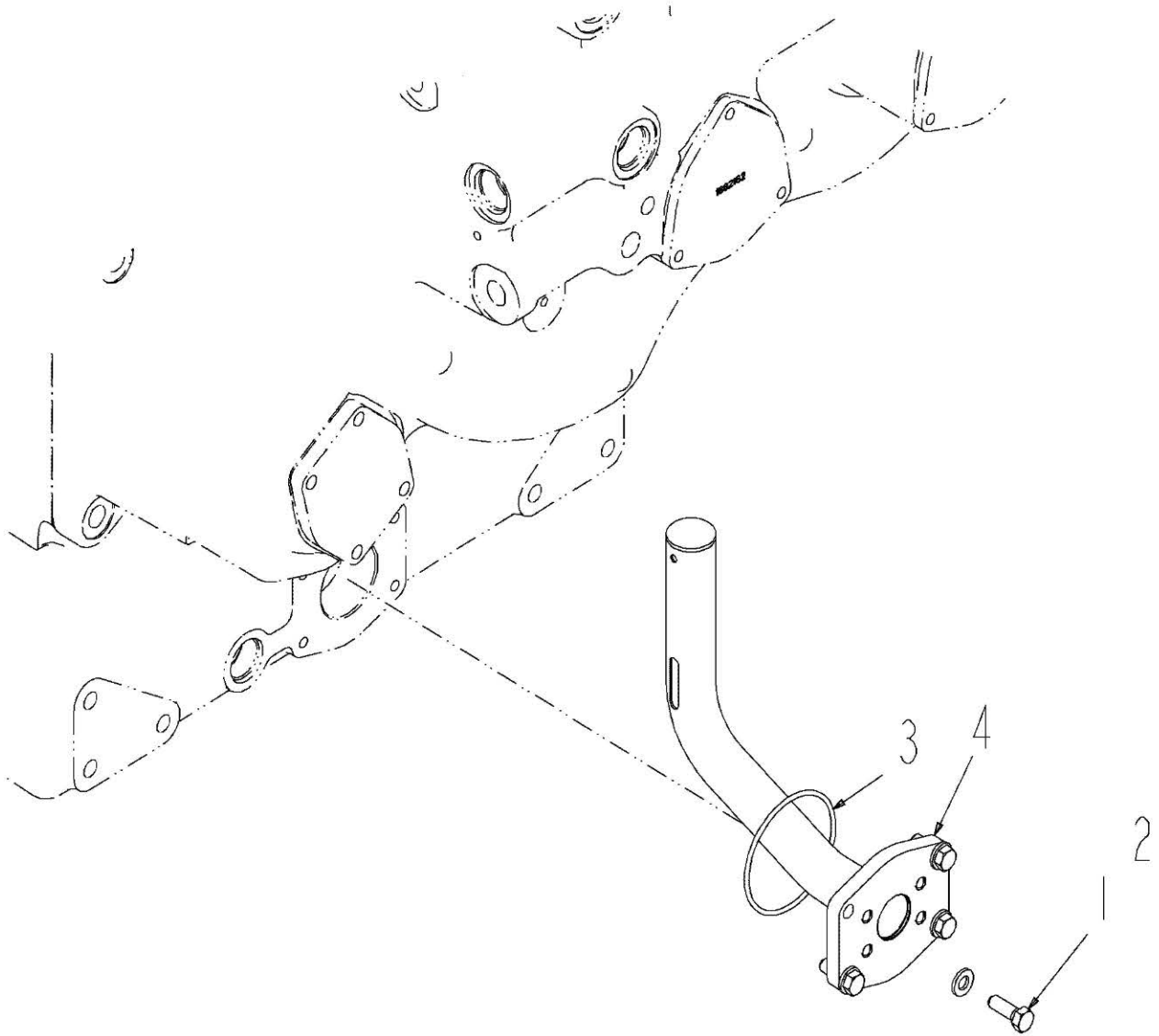
589949D1-2



589949D1 - POWERTRAIN OIL FILLER GROUP - LOCK

ITEM	PART NUMBER	QTY	DESCRIPTION COMMENTS	TECHNICAL SPECIFICATION
1	159-1236	1	BREATHER CAP	50.8MM OD
2	191-8006	1	LOCK	
	AG516365	-	LOCTITE 300 ML USE AS REQUIRED	300 ML
4	400041X1	2	HEXAGONAL HEAD BOLT	M12 X 1.75 X 30MM, CL10.9
5	400135X1	1	BOLT	1/4"-20 X 1"
6	400357X1	2	FLAT WASHER	M12 X 25.5 X 3MM
7	589948D1	1	TUBE ASSY	
8	CH3E-9865	1	HEX LOCKNUT	1/4"-20
9	CH5P-8502	1	LOCK	
10	CH8T-4205	1	FLAT WASHER	7.2MM X 14.5MM X 2MM

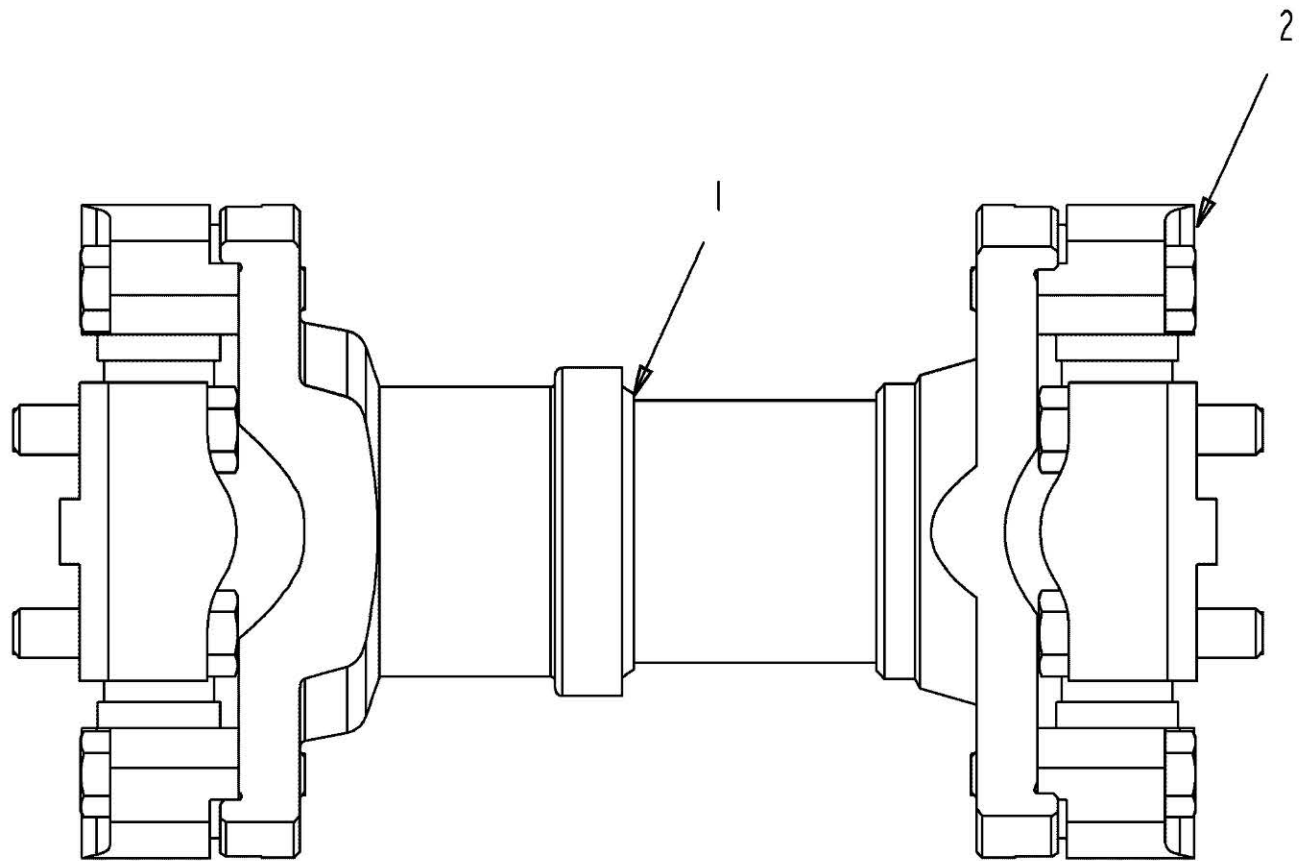
512335D1-02-R341



512335D1 - AXLE LUBE STANDPIPE GROUP

ITEM	PART NUMBER	QTY	DESCRIPTION COMMENTS	TECHNICAL SPECIFICATION
1	400058X1	4	HEXAGONAL HEAD BOLT	M10 X 1.5 X 30MM
2	400287X1	4	FLAT WASHER	11MM X 21MM X 2.5MM
3	401341X1	1	O-RING	91.6MM X 3.53MM
4	519407D1	1	TUBE ASSY	

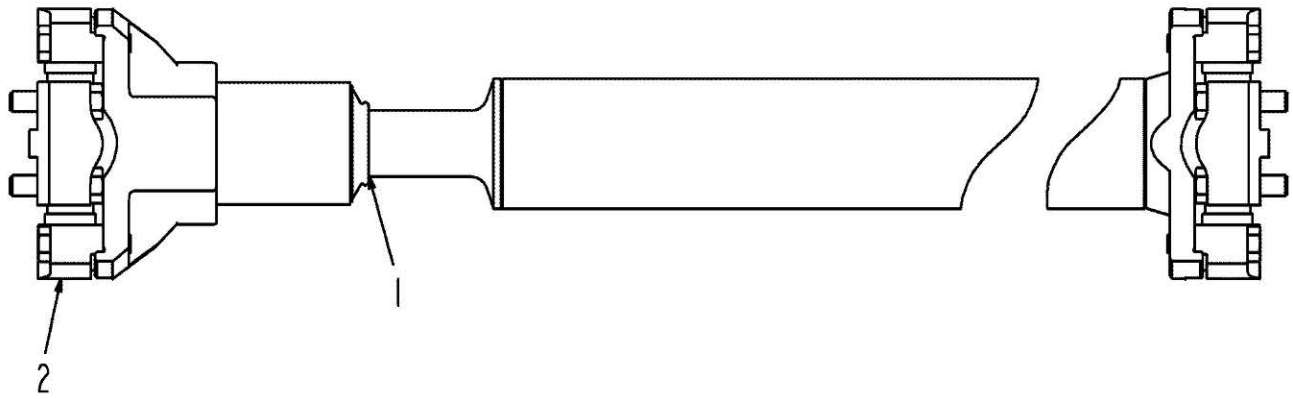
520858D1-04-V607



520858D1 - DRIVESHAFT, PTO ARTICULATED

ITEM	PART NUMBER	QTY	DESCRIPTION COMMENTS	TECHNICAL SPECIFICATION
1	526735D1	1	SEAL	
2	520858D1	2	DRIVE SHAFT	
	531630D1	2	UNIVERSAL JOINT	
	400057X1	8	HEXAGONAL HEAD BOLT	M12 X 1.75 X 50MM, CL10.9
	526735D1	1	SEAL	

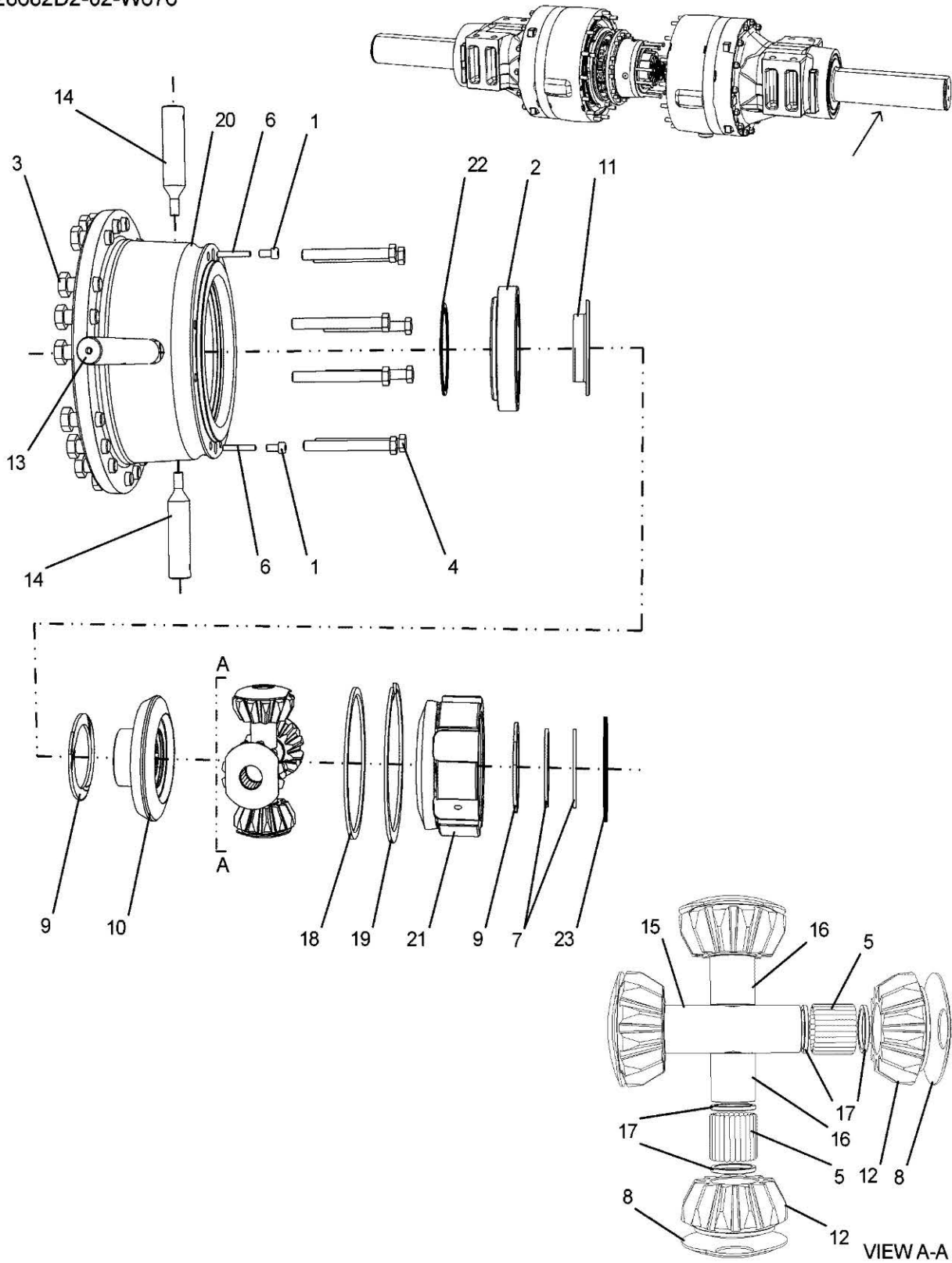
520860D1-03-T607



520860D1 - DRIVESHAFT, PTO REAR

ITEM	PART NUMBER	QTY	DESCRIPTION COMMENTS	TECHNICAL SPECIFICATION
1	526734D1	1	DUST CAP	
2	520860D1	2	DRIVE	
	531630D1	2	UNIVERSAL JOINT	
	400057X1	8	HEXAGONAL HEAD BOLT	M12 X 1.75 X 50MM, CL10.9
	526734D1	1	DUST CAP	

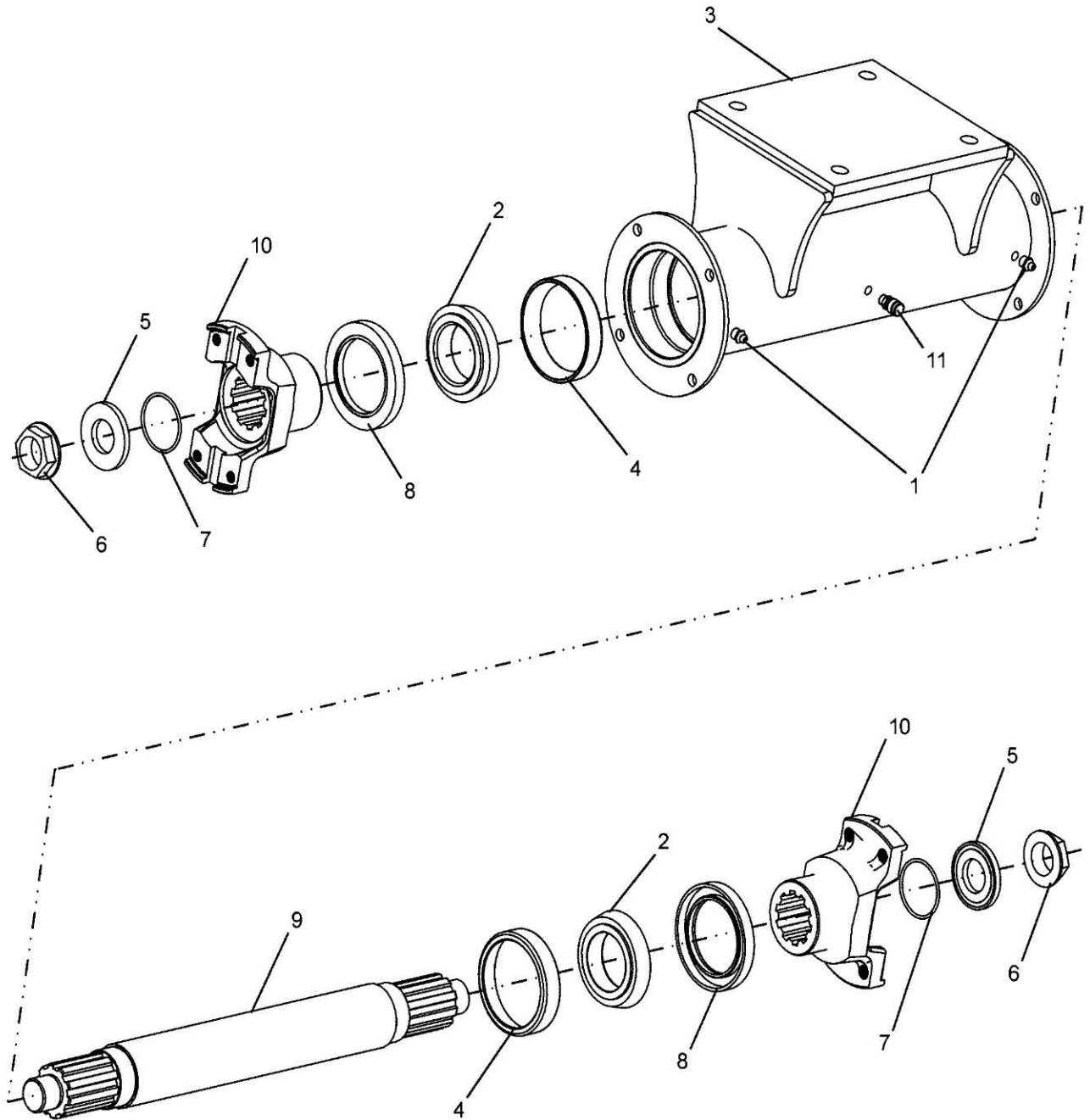
528682D2-02-W676



528682D2 - NEEDLE BEARING/CARBONITRIDE HALF DIFFERENTIAL SERVICE KIT

ITEM	PART NUMBER	QTY	DESCRIPTION COMMENTS	TECHNICAL SPECIFICATION
			SERVICED AS A KIT ONLY. APPLIES TO ALL TRACTORS WITH 518240D3, 518240D4, 518241D3 AND 518241D4 AXLE ASSEMBLIES.	
1	1441000X1	2	SCREW METRIC	M8 X 16 CL8.8 ZN
2	3010538X91	1	BEARING	95X145X32-STEEL-PL
3	3012025X1	18	HEXAGONAL HEAD BOLT	M16 X 40 CL10.9 PH
4	3012026X1	8	HEXAGONAL HEAD BOLT	M12 X 110 X 107 X 20-ISO 10.9
5	3014363X1	100	BEARING NEEDLE	4MM X 31.8MM, STEEL, PL
6	3384279M1	2	BEARING NEEDLE	6.350 X 44.50-STEEL-ZN
7	3716580M3	2	SEGMENT	
8	3791227M3	4	WASHER	
9	3792454M1	1	WASHER	78-108 X 4 MM
10	4302095M3	1	PINION SUN	
11	4302105M2	1	BUSH	
12	4307406M2	4	DIFF PINION NEEDLE BEARING	
13	4307407M2	1	CLEVIS PIN LONG	
14	4307408M2	2	SPIDER SHORT	
15	4307409M1	1	SPACER	
16	4307410M1	2	SPACER	
17	4307413M1	8	SPACER	
18	4307668M1	1	WASHER	
19	4307680M1	1	SEGMENT INTERNAL	
20	4307705M1	1	CASING	
21	4308116M2	1	PLANET SUN	
22	530814D1	1	SHIM KIT SEE PAGE 05-0013	PACK-BZ
23	530815D1	1	KIT, SHIMS SEE PAGE 05-0014	PACK-AM

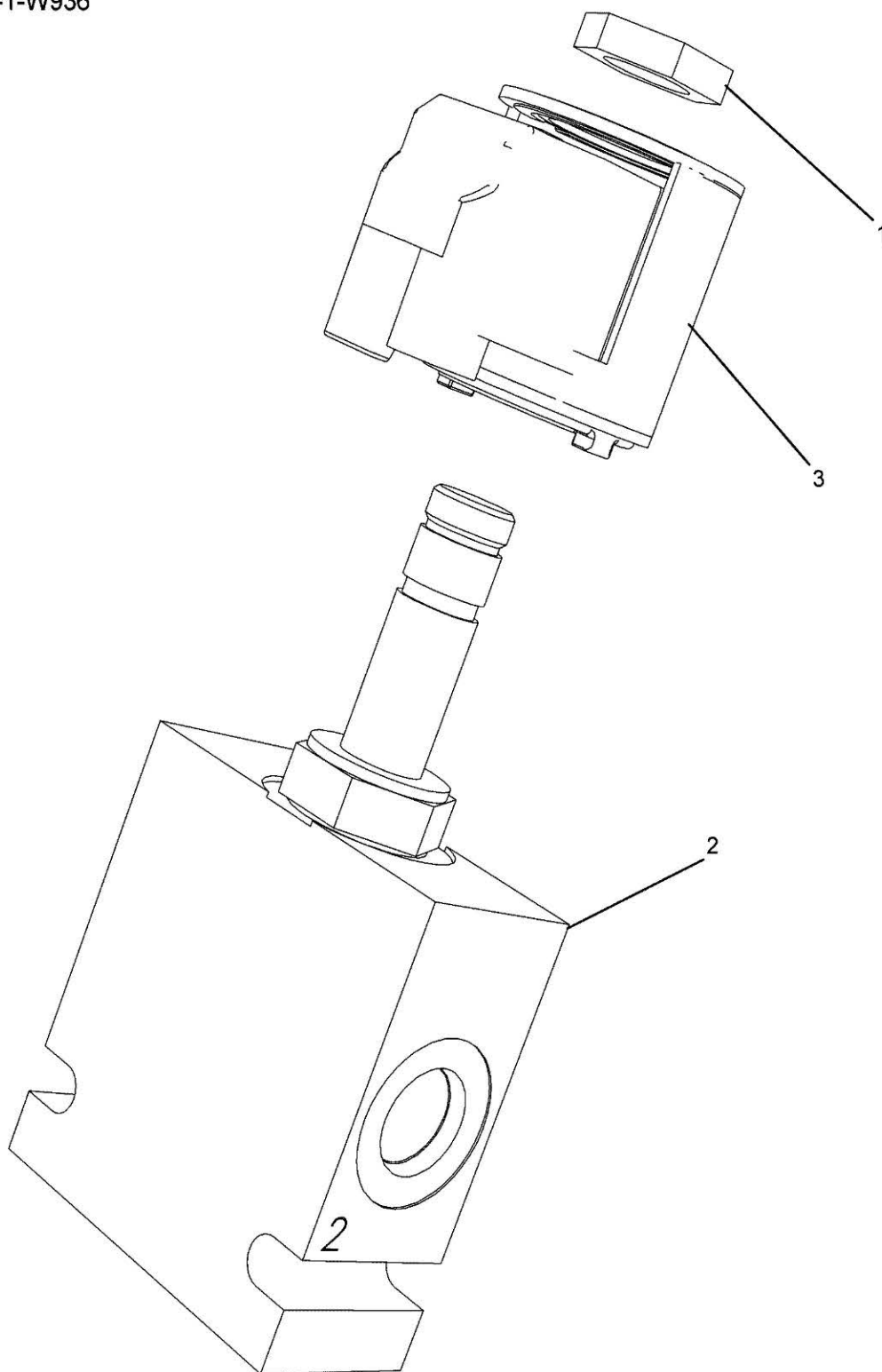
534617D2-01-T948



534617D2 - INTERMEDIATE DRIVE SHAFT SUPPORT

ITEM	PART NUMBER	QTY	DESCRIPTION COMMENTS	TECHNICAL SPECIFICATION
1	AG550280	2	GREASE FITTING	1/8"-27 F NPT X 0.66"
2	521484D1	2	TAPERED BEARING	TAPERED ROLLER
3	522481D2	1	SUPPORT	
4	522664D1	2	BEARING CUP	
5	525204D1	2	WASHER	32MM
6	525205D1	2	HEX FLANGE LOCKNUT	1-1/4"-18
7	525206D1	2	O-RING SEAL	50.47MM X 53.09MM
8	534116D1	2	LIP SEAL	
9	534618D1	1	INTERMEDIATE SHAFT PTO	
10	534735D1	2	YOKE	
11	CH5F-5434	1	VENT	

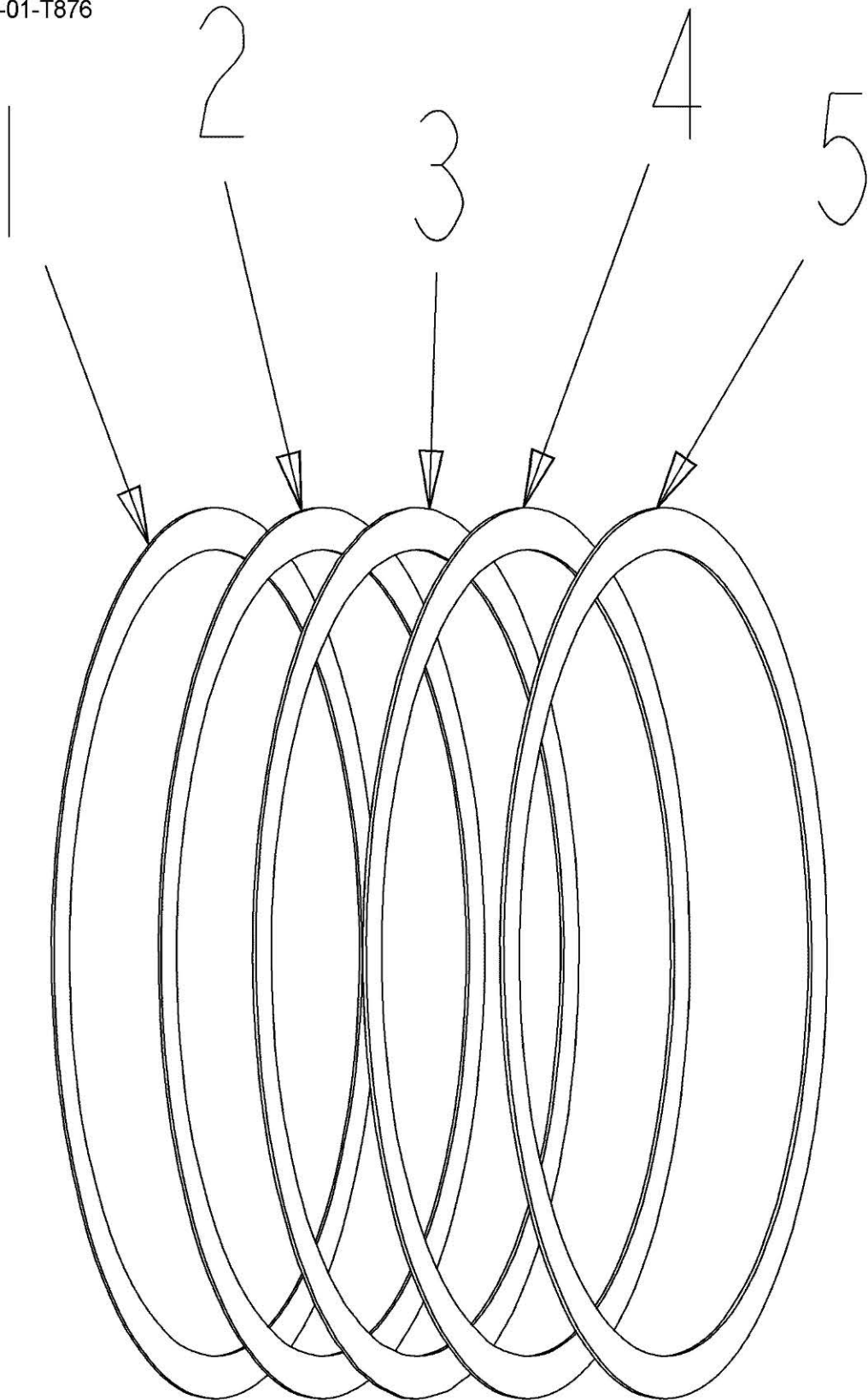
547156D1-1-W936



547156D1 - SOLENOID VALVE ASSEMBLY, 3 WAY

ITEM	PART NUMBER	QTY	DESCRIPTION COMMENTS	TECHNICAL SPECIFICATION
1	502459D1	1	HEX NUT	1/2"-20
2	548160D1	1	SOLENOID VALVE	3-WAY
	502030D1	1	COIL	
	502459D1	1	HEX NUT	1/2"-20
	AG121491	1	SEAL KIT	
3	502030D1	1	COIL BASIC	

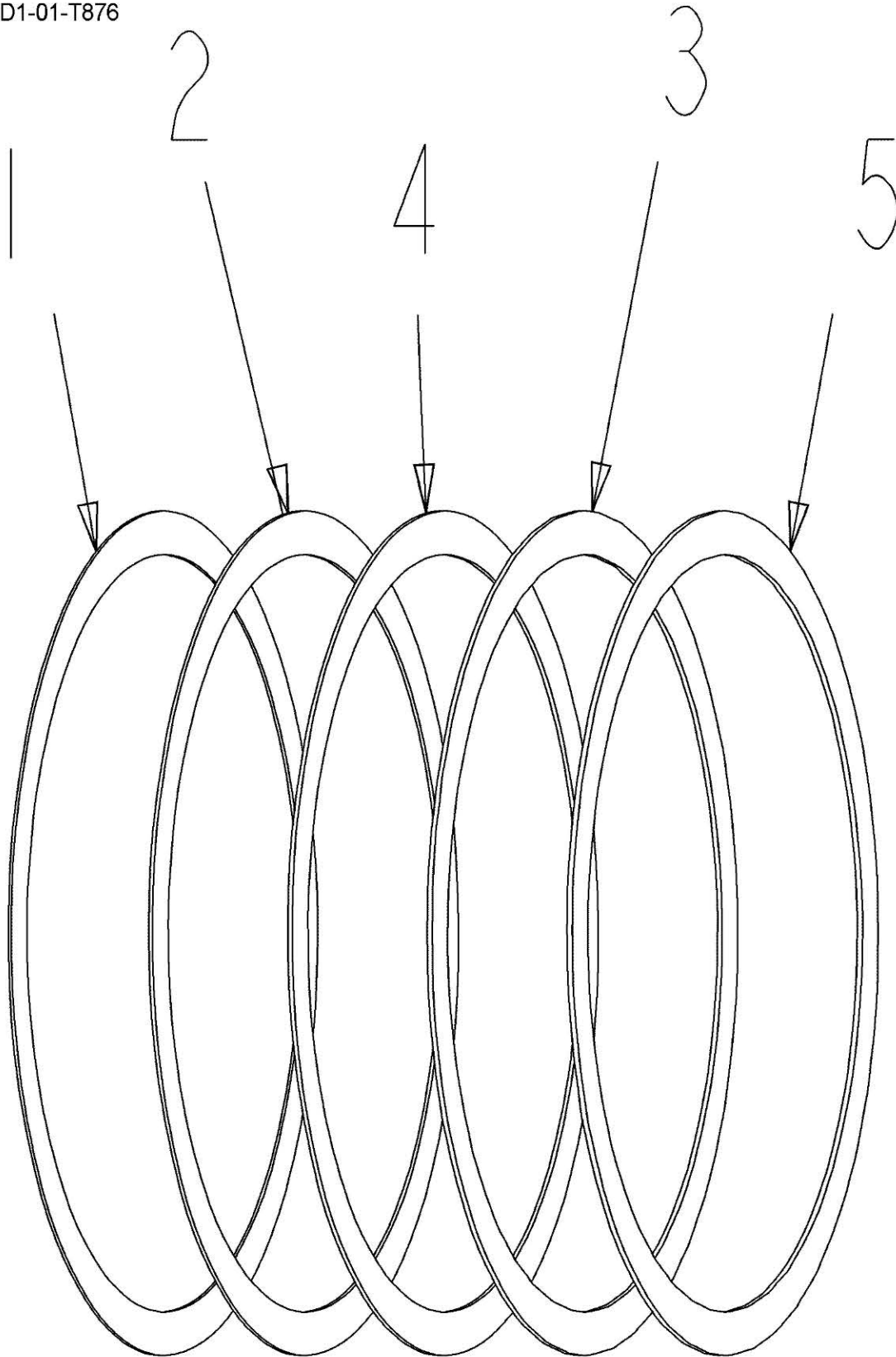
530814D1-01-T876



530814D1 - SHIM PACK KIT, BZ

ITEM	PART NUMBER	QTY	DESCRIPTION COMMENTS	TECHNICAL SPECIFICATION
1	3796206M1	1	SHIM	108 X 97.75 X 0.35-D-
2	3796207M1	1	SHIM	108 X 97.75 X 0.40-D-
3	3796208M1	1	SHIM	108 X 97.75 X 0.45-D-
4	3796209M1	1	SHIM	108 X 97.75 X 0.50-D-
5	3796210M1	1	SHIM	108 X 97.75 X 0.55-D-

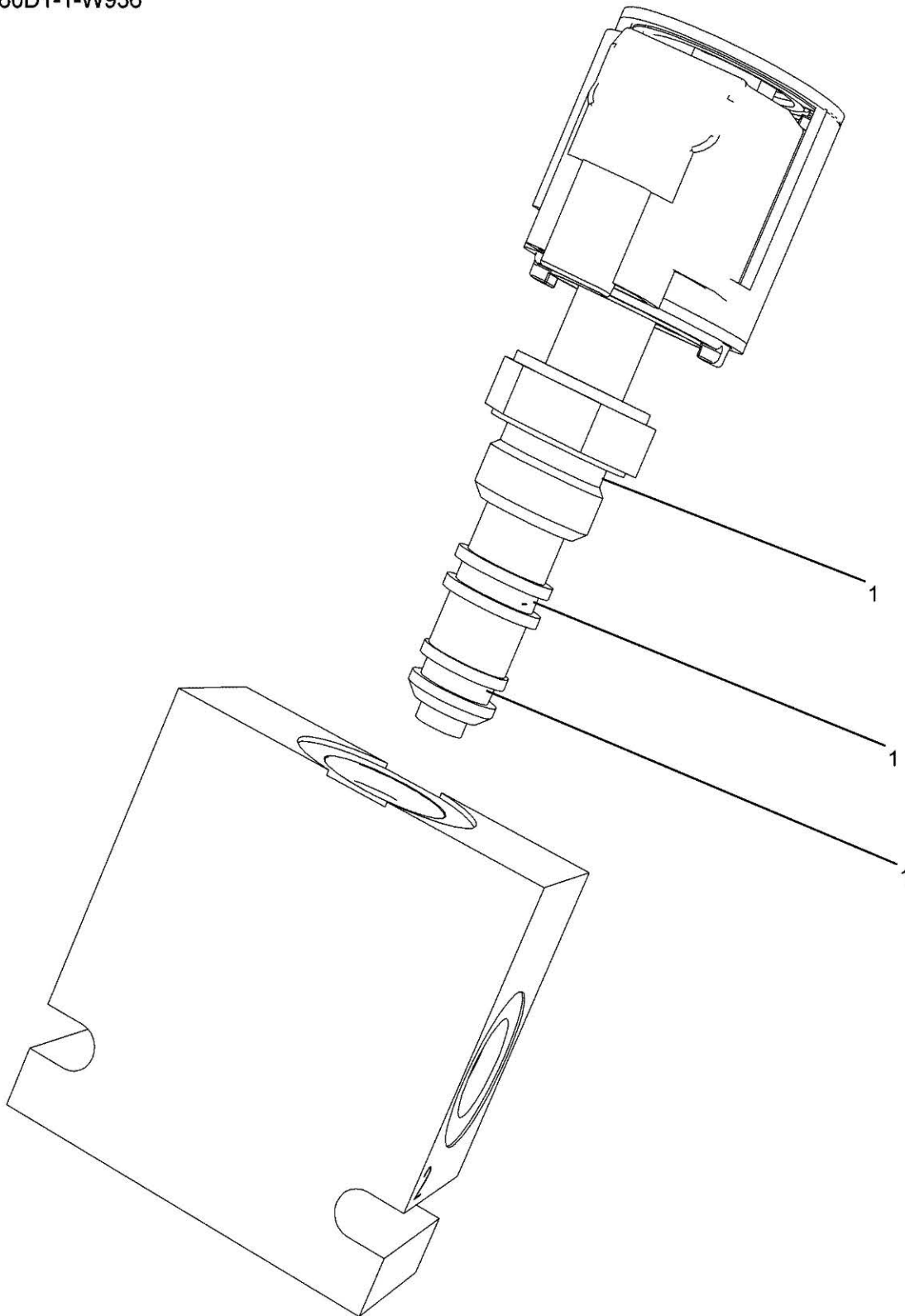
530815D1-01-T876



530815D1 - SHIM PACK KIT, AM

ITEM	PART NUMBER	QTY	DESCRIPTION COMMENTS	TECHNICAL SPECIFICATION
1	3716479M2	1	SHIM	122.5 X 109.85 X 0.50-D-
2	3716480M2	1	SHIM	122.5 X 109.85 X 0.60-D-
3	3716486M2	1	SHIM	122.5 X 109.85 X 0.80-D-
4	3791782M2	1	SHIM	122.5 X 109.85 X 0.70-D-
5	3791783M2	1	SHIM	122.5 X 109.85 X 0.90-D-

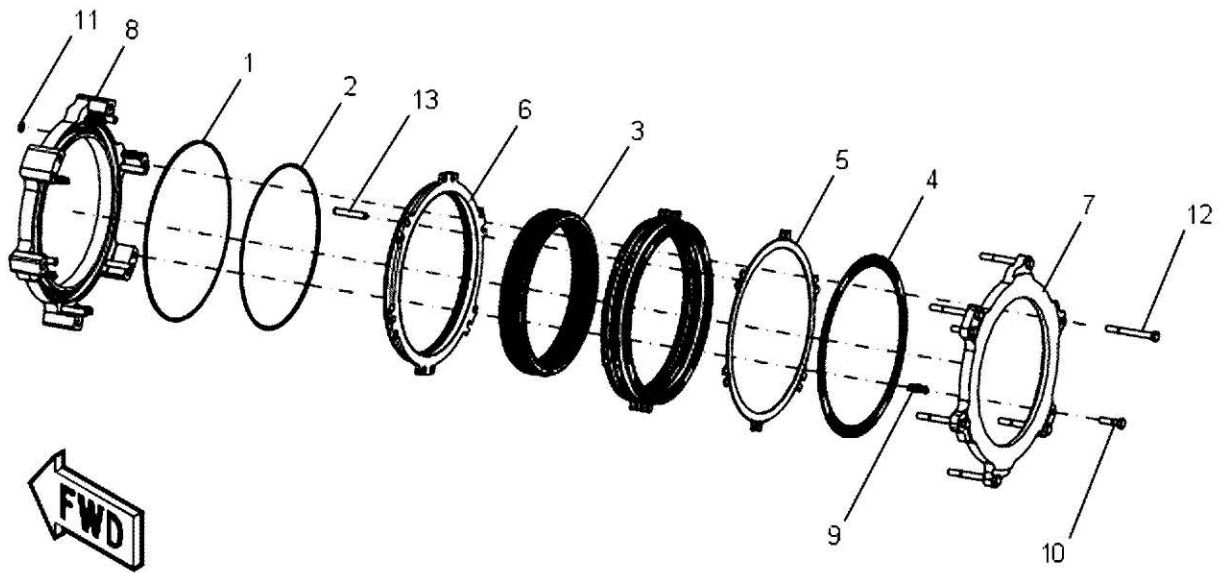
548160D1-1-W936



548160D1 - 3 WAY SOLENOID VALVE

ITEM	PART NUMBER	QTY	DESCRIPTION COMMENTS	TECHNICAL SPECIFICATION
1	AG121491	1	SEAL KIT REPLACED BY AG714832	

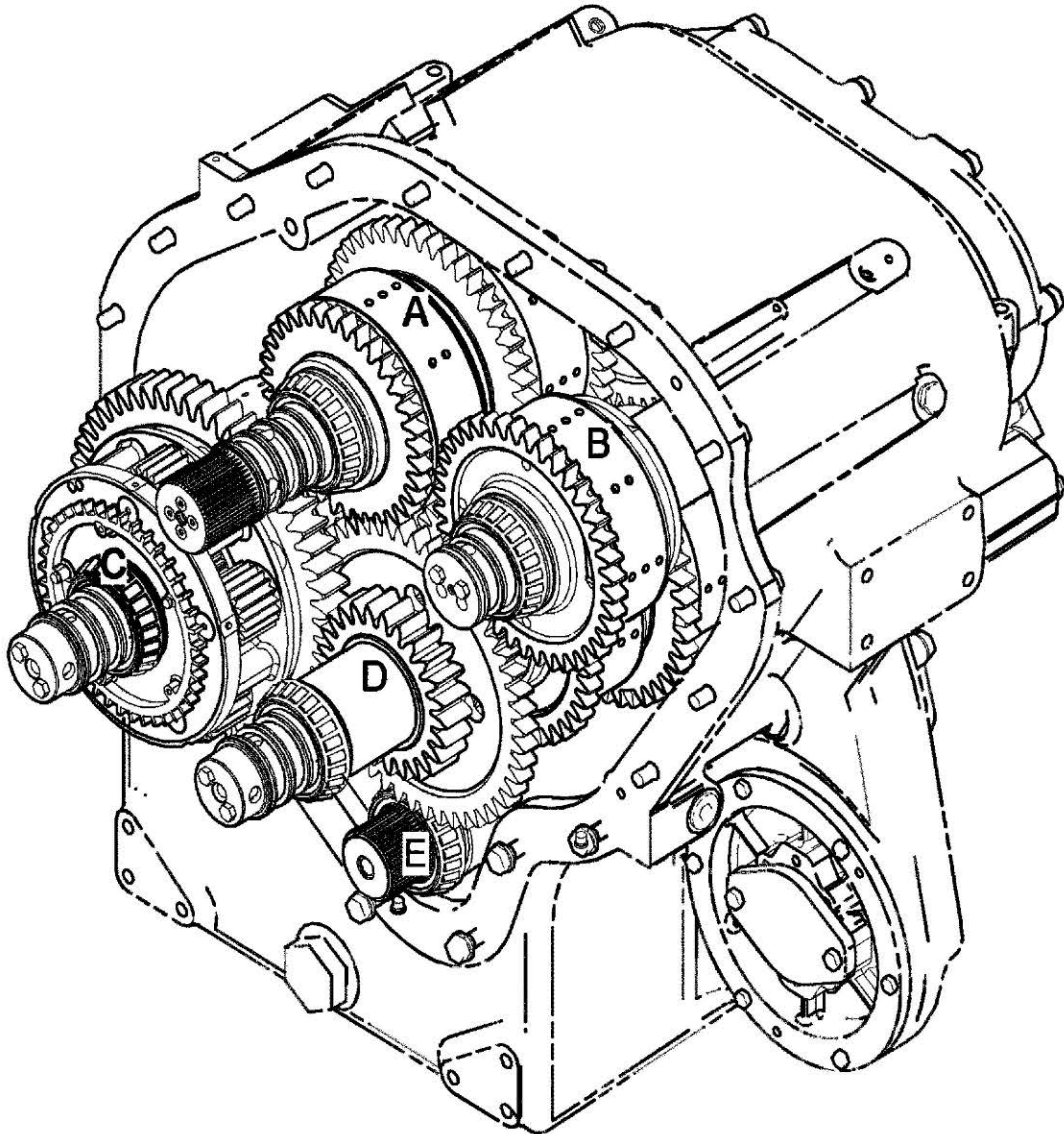
246-8149-2-y965-



246-8149 - CLUTCH GROUP

ITEM	PART NUMBER	QTY	DESCRIPTION COMMENTS	TECHNICAL SPECIFICATION
1	177-6762	1	SEALING RING EXTERNAL	
2	177-6763	1	SEALING RING INTERNAL	
3	177-6765	1	RING GEAR	
4	177-6766	4	FRICTION DISC	
5	177-6768	3	CLUTCH PLATE	
6	246-8145	1	PISTON	
7	246-8146	1	END PLATE	
8	246-8148	1	CLUTCH HOUSING	
9	363-4541	6	SPRING	8.64MM X 12.7MM
10	6V-5684	2	HEXAGONAL HEAD BOLT	M12 X 1.75 X 45MM, CL10.9
11	8F-3469	2	O-RING	15.54MM ID X 2.62MM
12	8T-0646	6	HEXAGONAL HEAD BOLT	M12 X 1.75 X 110MM, CL10.9
13	9H-5545	6	DOWEL	12.6MM OD

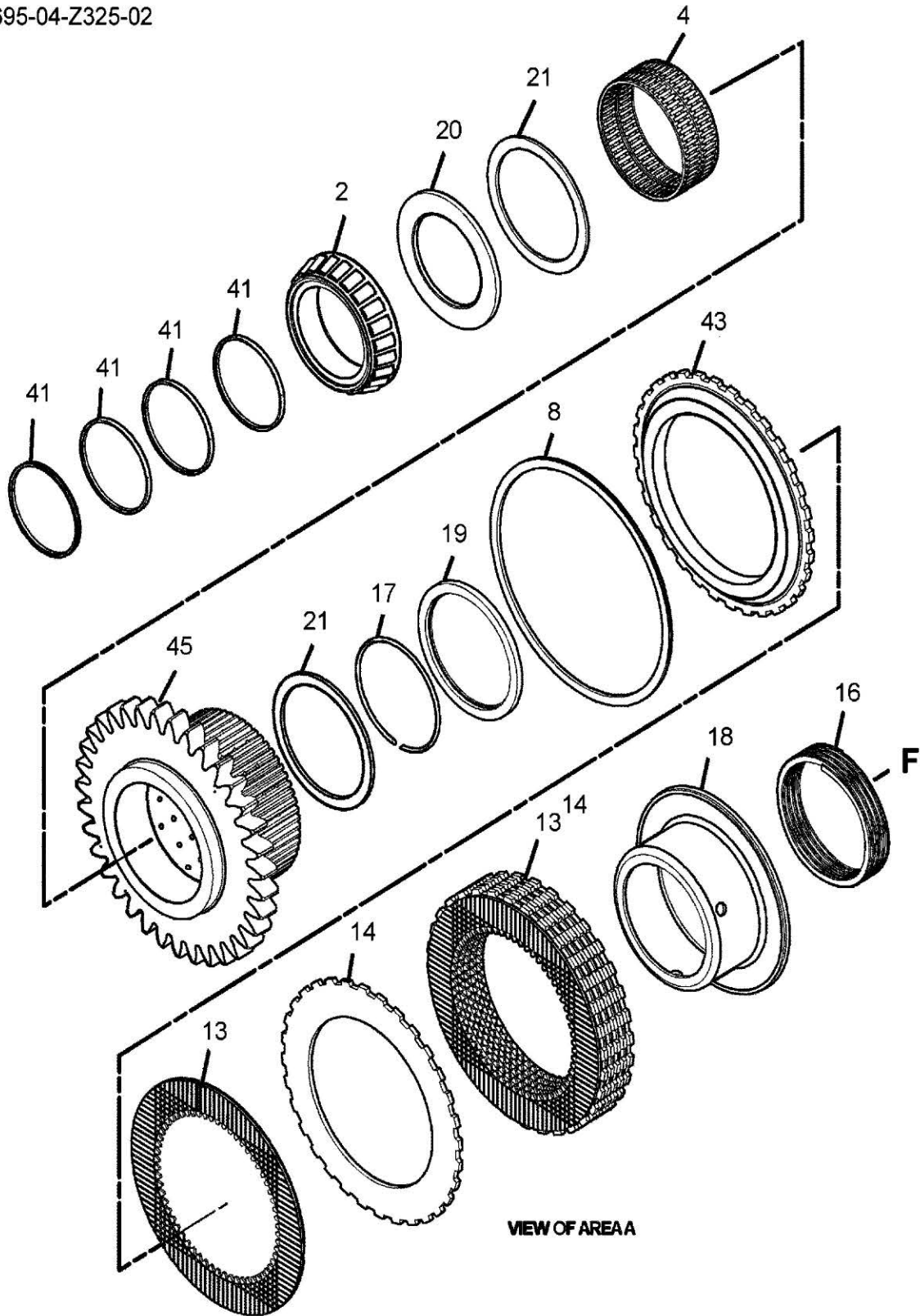
265-5695-04-Z325-01



265-5695 - TRANSFER GEAR GROUP

ITEM	PART NUMBER	QTY	DESCRIPTION COMMENTS	TECHNICAL SPECIFICATION
	NS	-	NON-SERVICEABLE PART	

265-5695-04-Z325-02



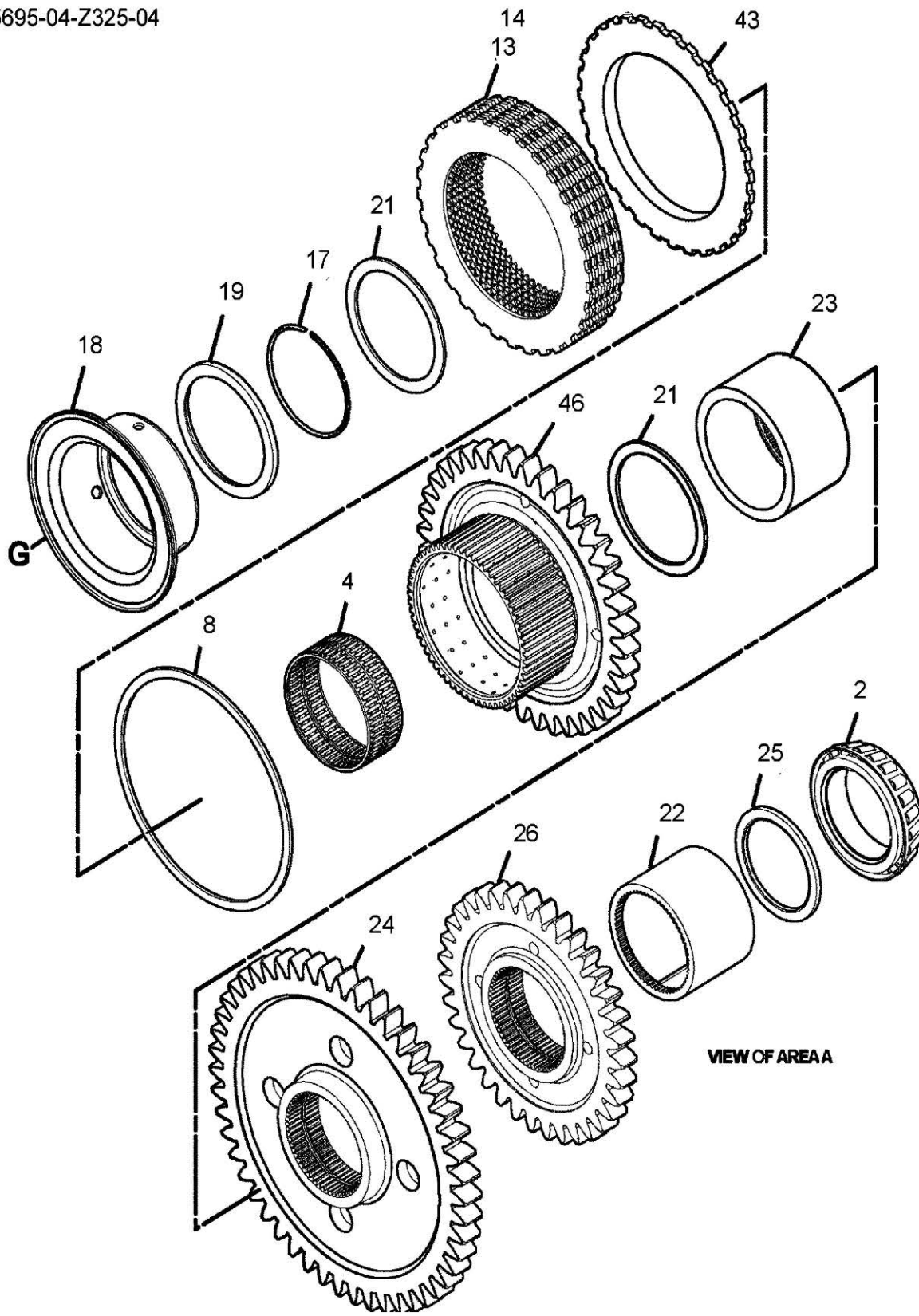
265-5695 - TRANSFER GEAR GROUP

ITEM	PART NUMBER	QTY	DESCRIPTION COMMENTS	TECHNICAL SPECIFICATION
2	6V-0347	7	BEARING CONE SPLIT	
4	177-5236	10	NEEDLE BEARING	
8	4D-7889	6	RING	
13	134-8360	36	FRICTION DISC	215MM OD X 4MM
14	134-8361	36	CLUTCH PLATE	158MM ID X 4MM
16	173-5392	7	SPRING	
17	177-5241	7	RETAINING RING	
18	177-5243	6	BALANCE SEAL BALANCE	
19	177-5246	7	SPACER RING	
20	177-5248	2	SPACER	
21	177-5249	14	THRUST DISK	
41	177-6801	12	SEALING RING	
43	177-6804	6	END PLATE	
45	191-0426	2	GEAR	

265-5695 - TRANSFER GEAR GROUP

ITEM	PART NUMBER	QTY	DESCRIPTION COMMENTS	TECHNICAL SPECIFICATION
16	173-5392	7	SPRING	
40	177-6797	6	SEALING RING	193.18MM OD X 4.07MM
50	200-3039	7	SEALING RING	
51	203-2631	6	PISTON	
63	301-5694	1	SHAFT	
67	199-9240	7	O-RING	120.37MM ID X 1.78MM
71	7T-5594	7	O-RING	
73	8T-2572	7	O-RING	101.32MM ID X 1.78MM

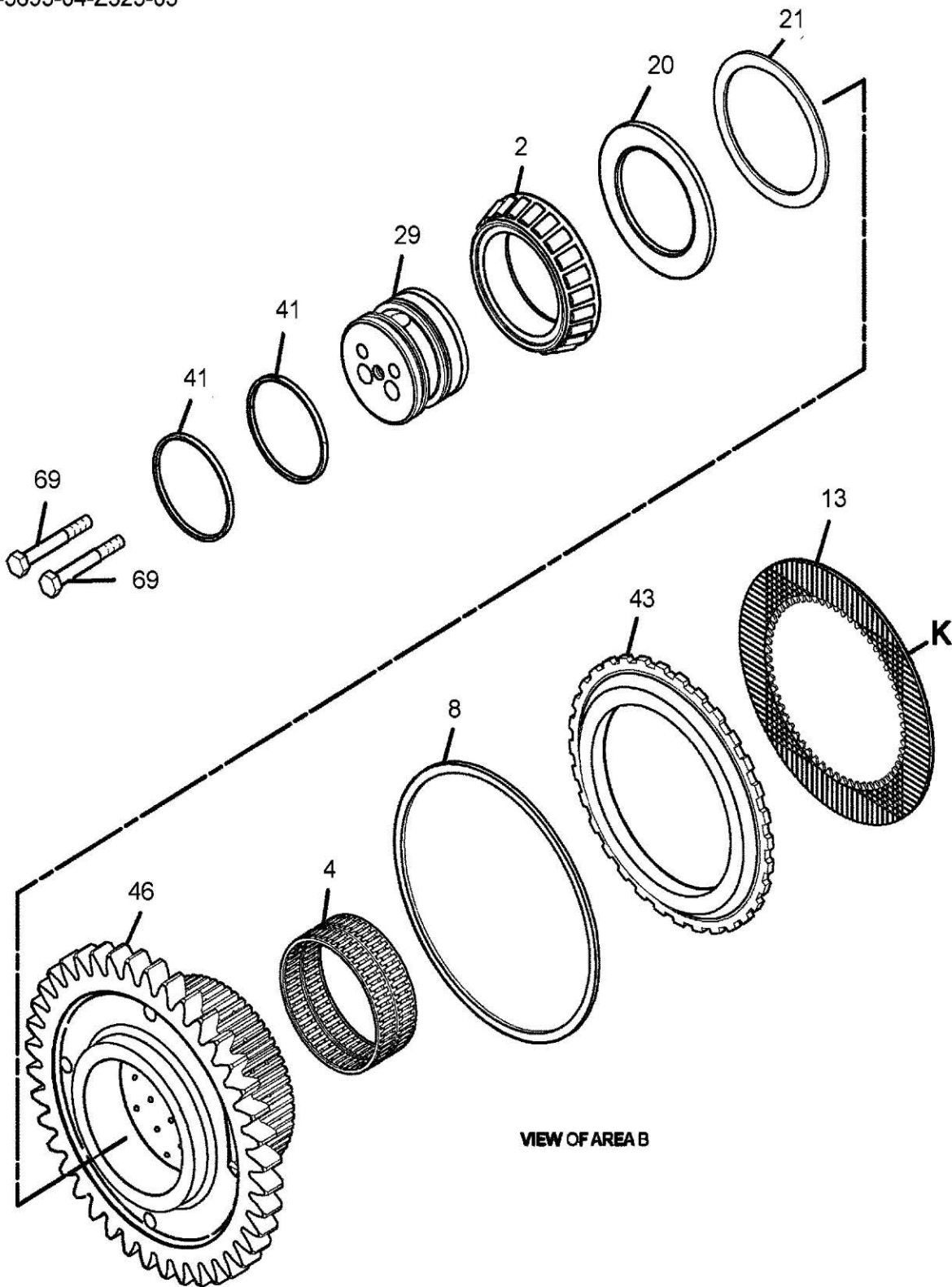
265-5695-04-Z325-04



265-5695 - TRANSFER GEAR GROUP

ITEM	PART NUMBER	QTY	DESCRIPTION COMMENTS	TECHNICAL SPECIFICATION
2	6V-0347	7	BEARING CONE SPLIT	
4	177-5236	10	NEEDLE BEARING	
8	4D-7889	6	RING	
13	134-8360	36	FRICTION DISC	215MM OD X 4MM
14	134-8361	36	CLUTCH PLATE	158MM ID X 4MM
17	177-5241	7	RETAINING RING	
18	177-5243	6	BALANCE SEAL	
19	177-5246	7	SPACER RING	
21	177-5249	14	THRUST DISK	
22	177-5250	2	SPACER	
23	177-5256	2	SPACER	
24	177-5257	3	GEAR	
25	177-5258	6	SPACER	
26	177-5260	1	GEAR	
43	177-6804	6	END PLATE	
46	191-0427	3	GEAR	

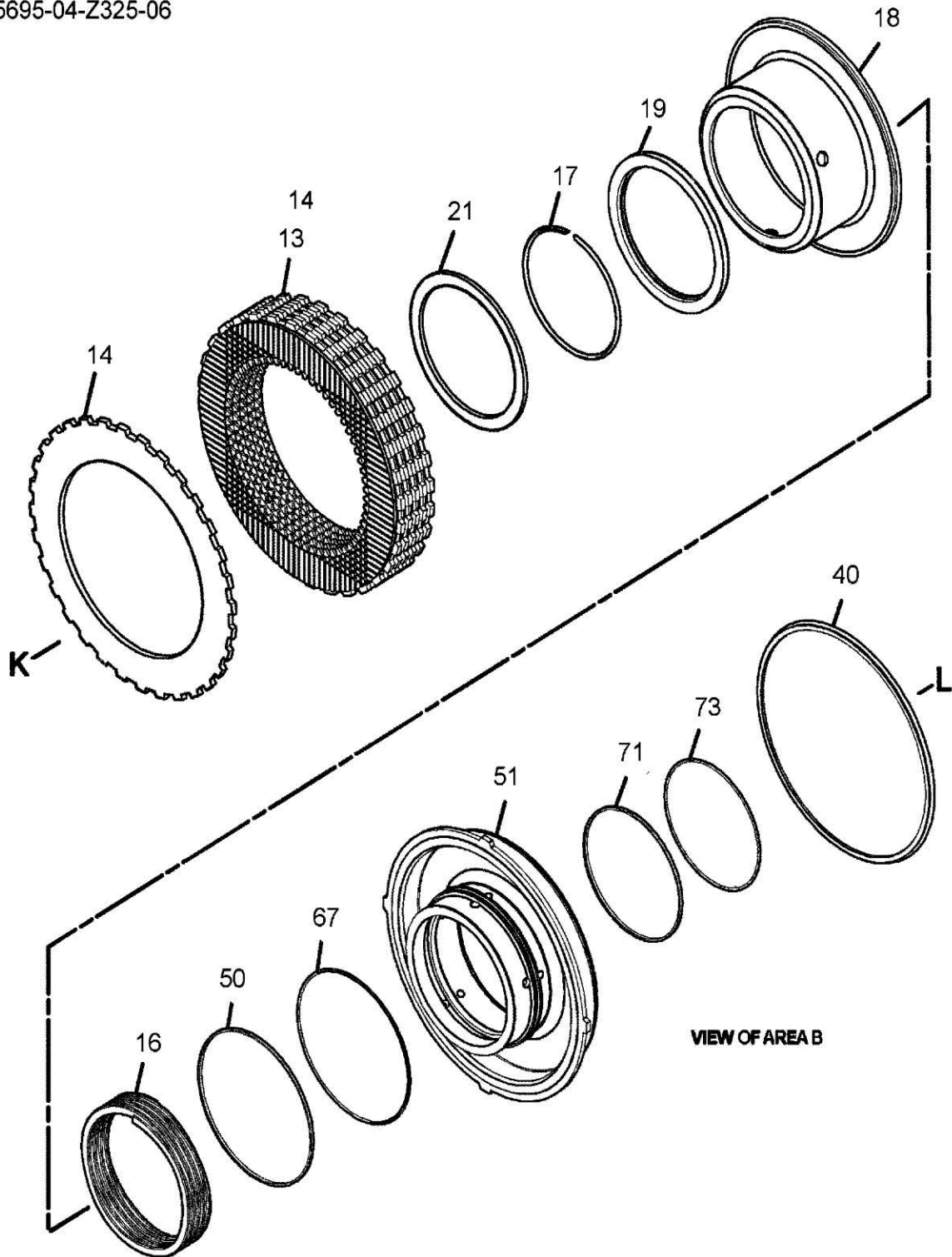
265-5695-04-Z325-05



265-5695 - TRANSFER GEAR GROUP

ITEM	PART NUMBER	QTY	DESCRIPTION COMMENTS	TECHNICAL SPECIFICATION
2	6V-0347	7	BEARING CONE SPLIT	
4	177-5236	10	NEEDLE BEARING	
8	4D-7889	6	RING	
13	134-8360	36	FRICTION DISC	215MM OD X 4MM
20	177-5248	2	SPACER	
21	177-5249	14	THRUST DISK	
29	177-5269	1	CARRIER	
41	177-6801	12	SEALING RING	
43	177-6804	6	END PLATE	
46	191-0427	3	GEAR	
69	6V-5815	2	HEXAGONAL HEAD BOLT	M10 X 1.5 X 75MM, CL10.9

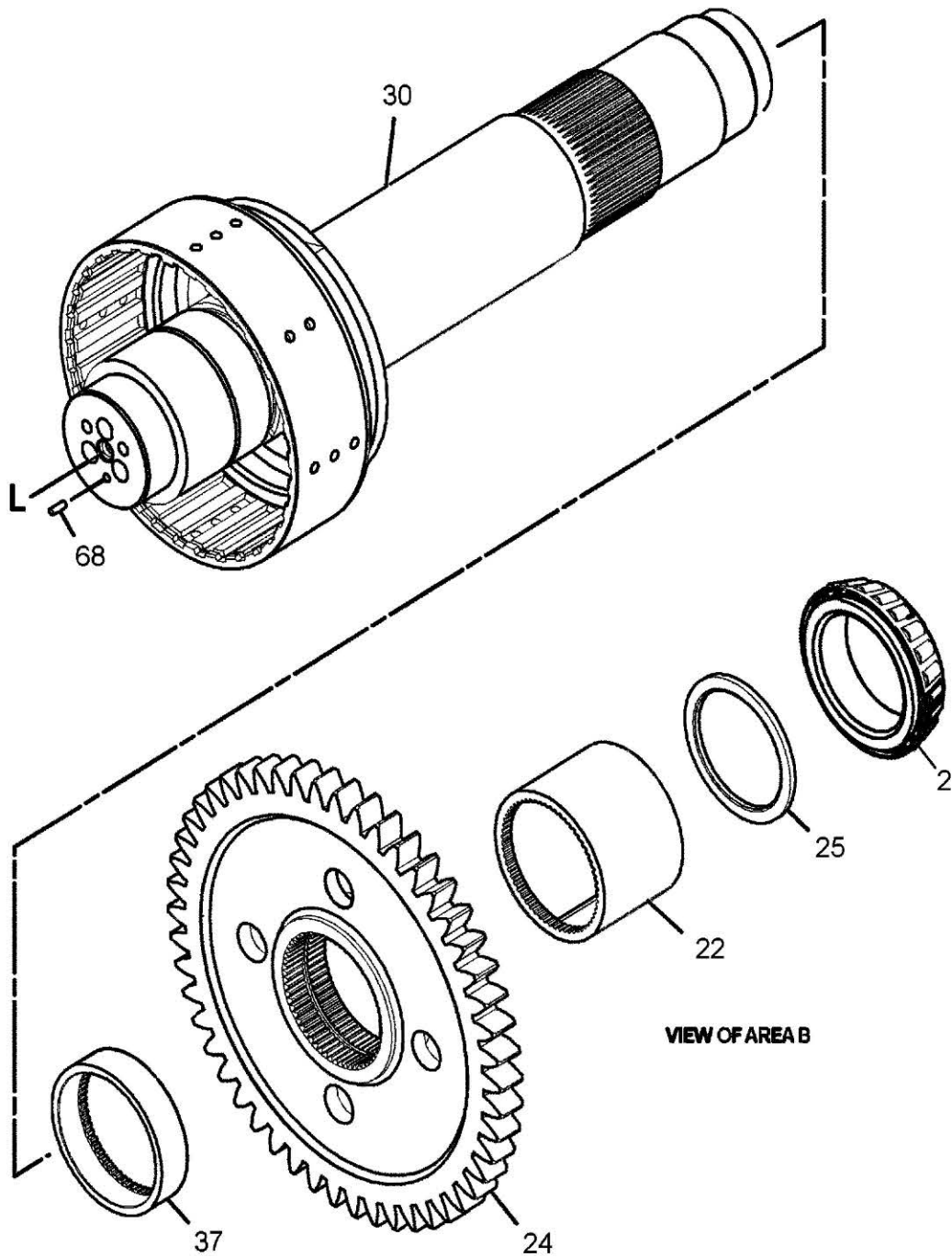
265-5695-04-Z325-06



265-5695 - TRANSFER GEAR GROUP

ITEM	PART NUMBER	QTY	DESCRIPTION COMMENTS	TECHNICAL SPECIFICATION
13	134-8360	36	FRICTION DISC	215MM OD X 4MM
14	134-8361	36	CLUTCH PLATE	158MM ID X 4MM
16	173-5392	7	SPRING	
17	177-5241	7	RETAINING RING	
18	177-5243	6	BALANCE SEAL	
19	177-5246	7	SPACER RING	
21	177-5249	14	THRUST DISK	
40	177-6797	6	SEALING RING	193.18MM OD X 4.07MM
50	200-3039	7	SEALING RING	
51	203-2631	6	PISTON	
67	199-9240	7	O-RING	120.37MM ID X 1.78MM
71	7T-5594	7	O-RING	
73	8T-2572	7	O-RING	101.32MM ID X 1.78MM

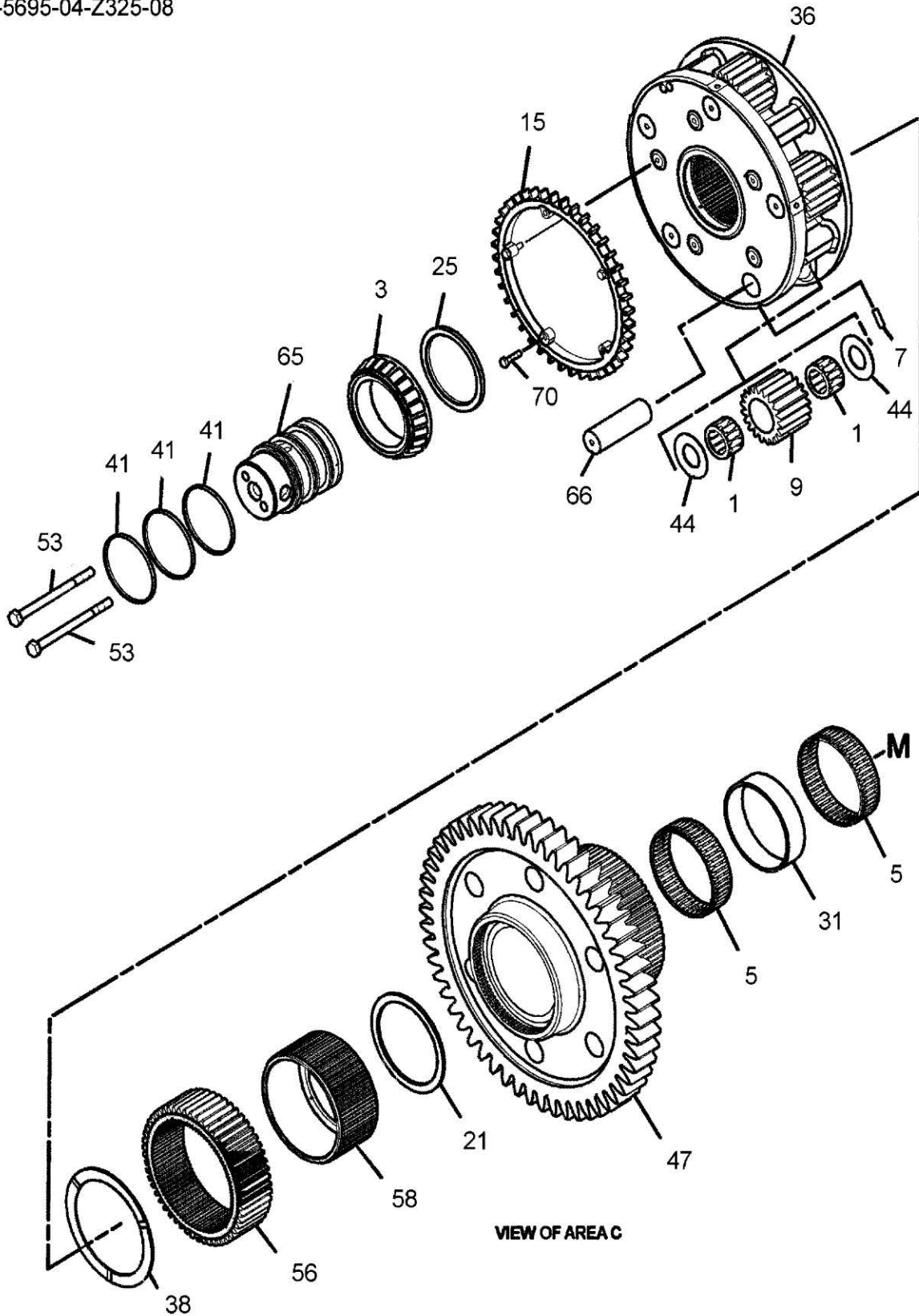
265-5695-04-Z325-07



265-5695 - TRANSFER GEAR GROUP

ITEM	PART NUMBER	QTY	DESCRIPTION COMMENTS	TECHNICAL SPECIFICATION
2	6V-0347	7	BEARING CONE SPLIT	
22	177-5250	2	SPACER	
24	177-5257	3	GEAR	
25	177-5258	6	SPACER	
30	177-5270	1	SHAFT	
37	177-6770	1	SPACER	
68	5H-8985	3	PIN	

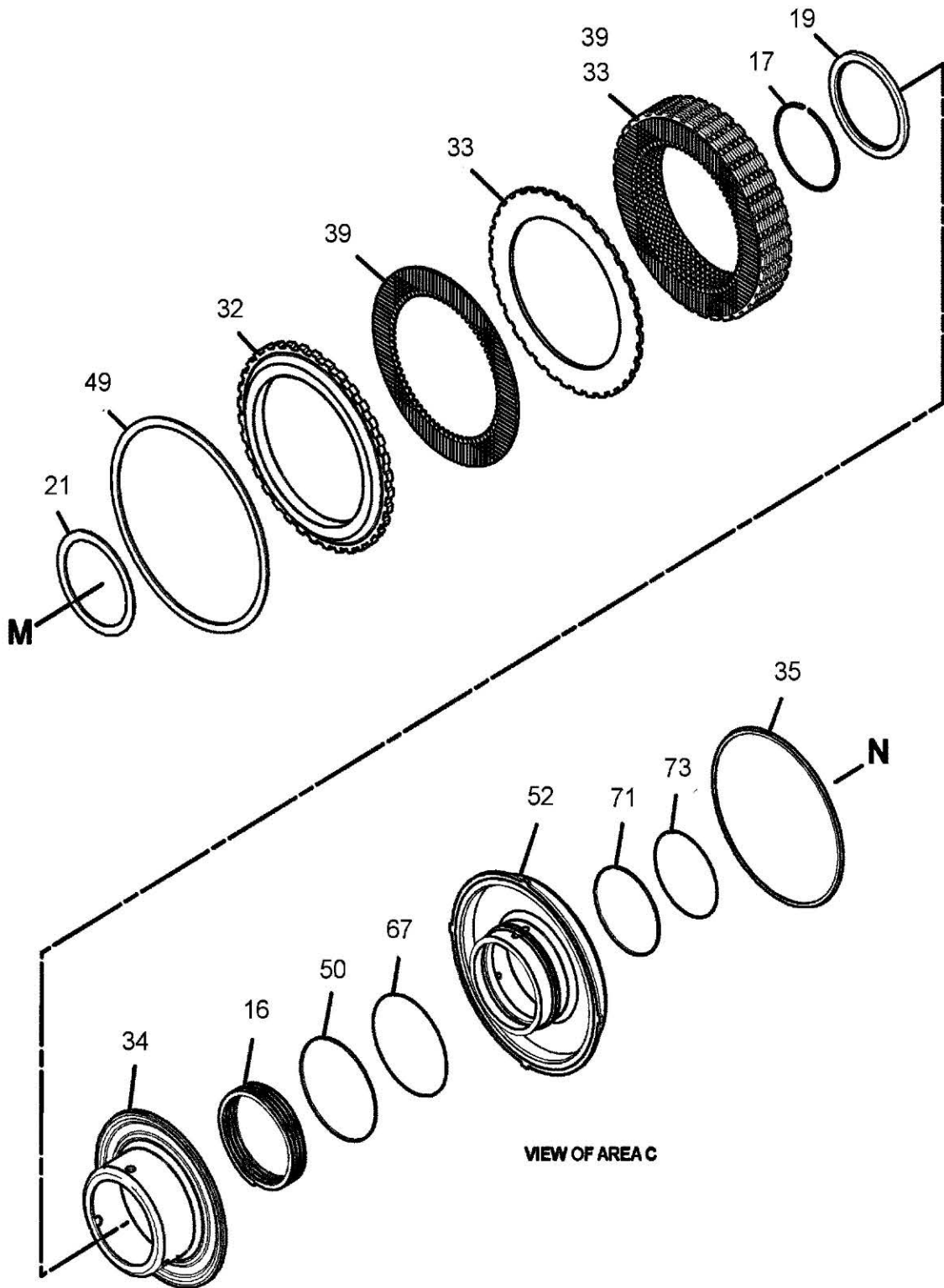
265-5695-04-Z325-08



265-5695 - TRANSFER GEAR GROUP

ITEM	PART NUMBER	QTY	DESCRIPTION COMMENTS	TECHNICAL SPECIFICATION
1	482-3315	20	BEARING ROLLER	PHOSPHATE
3	112-8985	1	BEARING CONE ROLLER	
5	177-6738	4	BEARING	
7	3S-2708	10	SPRING PIN	6.35MM OD X 22.23MM
9	7G-2510	10	PLANETARY GEAR	
15	165-0420	1	ROTOR	
21	177-5249	14	THRUST DISK	
25	177-5258	6	SPACER	
31	177-6739	1	SPACER	
36	177-6757	2	PLANETARY CARRIER	
38	177-6771	2	THRUST DISK	121.1MM X 150MM X 2.5MM
41	177-6801	12	SEALING RING	
44	187-8947	20	THRUST DISK	
47	191-0428	1	GEAR	
53	215-2900	4	HEXAGONAL HEAD BOLT	M10 X 1.5 X 130MM
56	293-4389	2	SUN GEAR	177MM OD X 52MM WIDE
58	294-2173	1	TUBE FRONT	
65	317-9747	2	CARRIER	
66	352-7411	10	PLANETARY GEAR SHAFT PLANETARY	29.19MM X 91.5MM
70	6V-8490	3	HEXAGONAL HEAD BOLT	M6 X 1 25MM, CL10.9, FT

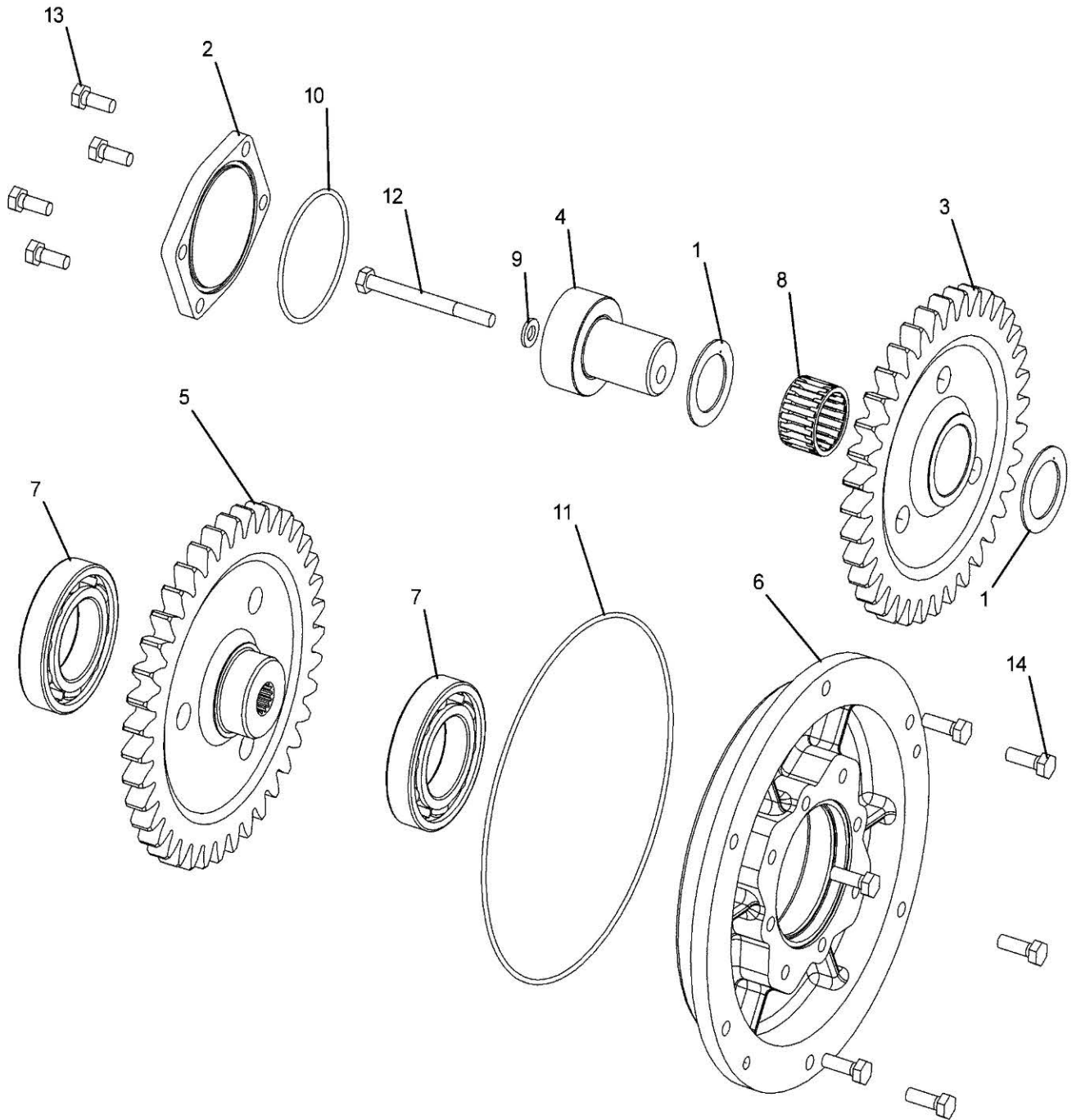
265-5695-04-Z325-09



265-5695 - TRANSFER GEAR GROUP

ITEM	PART NUMBER	QTY	DESCRIPTION COMMENTS	TECHNICAL SPECIFICATION
16	173-5392	7	SPRING	
17	177-5241	7	RETAINING RING	
19	177-5246	7	SPACER RING	
21	177-5249	14	THRUST DISK	
32	177-6740	1	END PLATE	
33	177-6743	7	CLUTCH PLATE	
34	177-6752	1	BALANCE SEAL	
35	177-6754	1	SEALING RING	
39	177-6795	7	FRICTION DISC	
49	192-4975	1	RETAINING RING	
50	200-3039	7	SEALING RING	
52	203-2632	1	PISTON	
67	199-9240	7	O-RING	120.37MM ID X 1.78MM
71	7T-5594	7	O-RING	
73	8T-2572	7	O-RING	101.32MM ID X 1.78MM

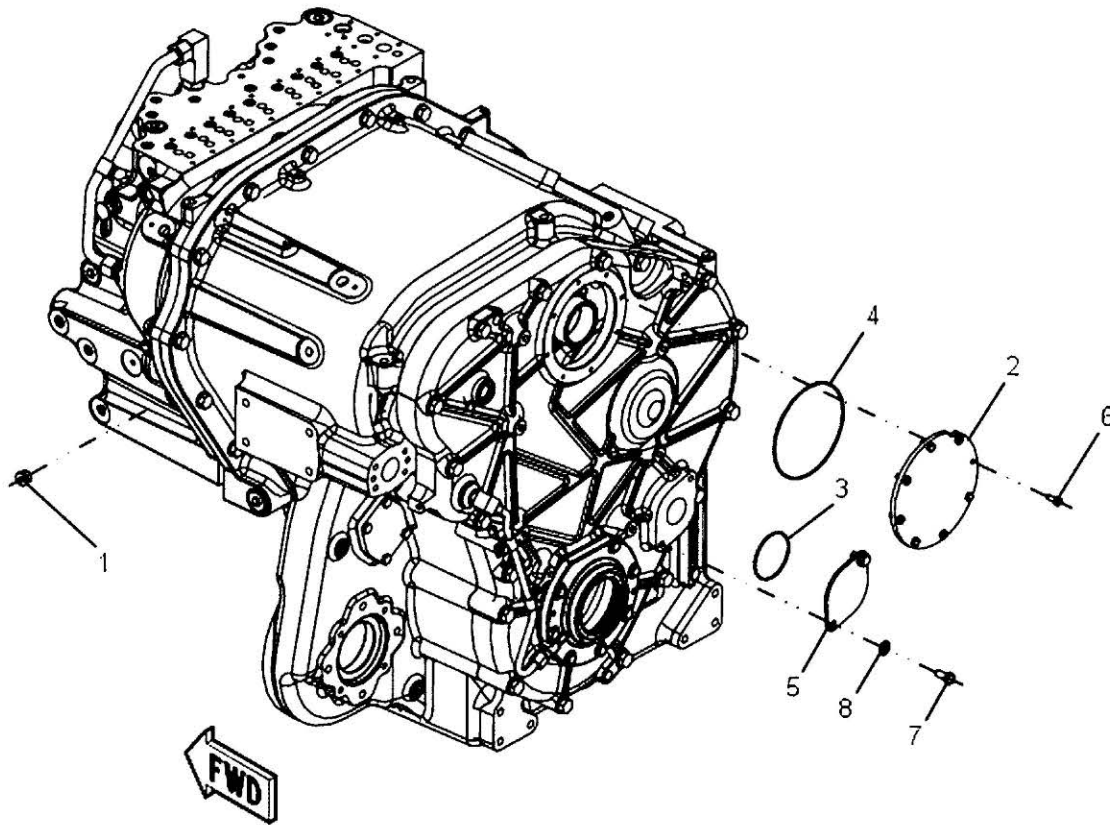
265-5696-01-R540



265-5696 - PUMP DRIVE GROUP

ITEM	PART NUMBER	QTY	DESCRIPTION COMMENTS	TECHNICAL SPECIFICATION
1	6Y-1223	2	THRUST DISK	
2	170-7290	1	PUMP COVER DRIVE PUMP	
3	177-6781	1	GEAR	
4	265-5732	1	IDLER SHAFT	
5	265-5738	1	GEAR	
6	265-5758	1	COVER	
7	1F-2771	2	BALL BEARING	
8	5M-2051	1	ROLLER BEARING	
9	6V-5839	1	FLAT WASHER	DIAM : 11-21 X 2,5 MM
10	8H-7521	1	O-RING	91.67MM ID X 3.35MM
11	8J-8879	1	SEAL	
12	8T-0355	1	BOLT	M10 X 1.5 X 110MM
13	8T-4136	4	HEX CAP SCREW	M10 X 25
14	8T-4195	6	HEXAGONAL HEAD BOLT	M10 X 1.5 X 30MM, CL10.9

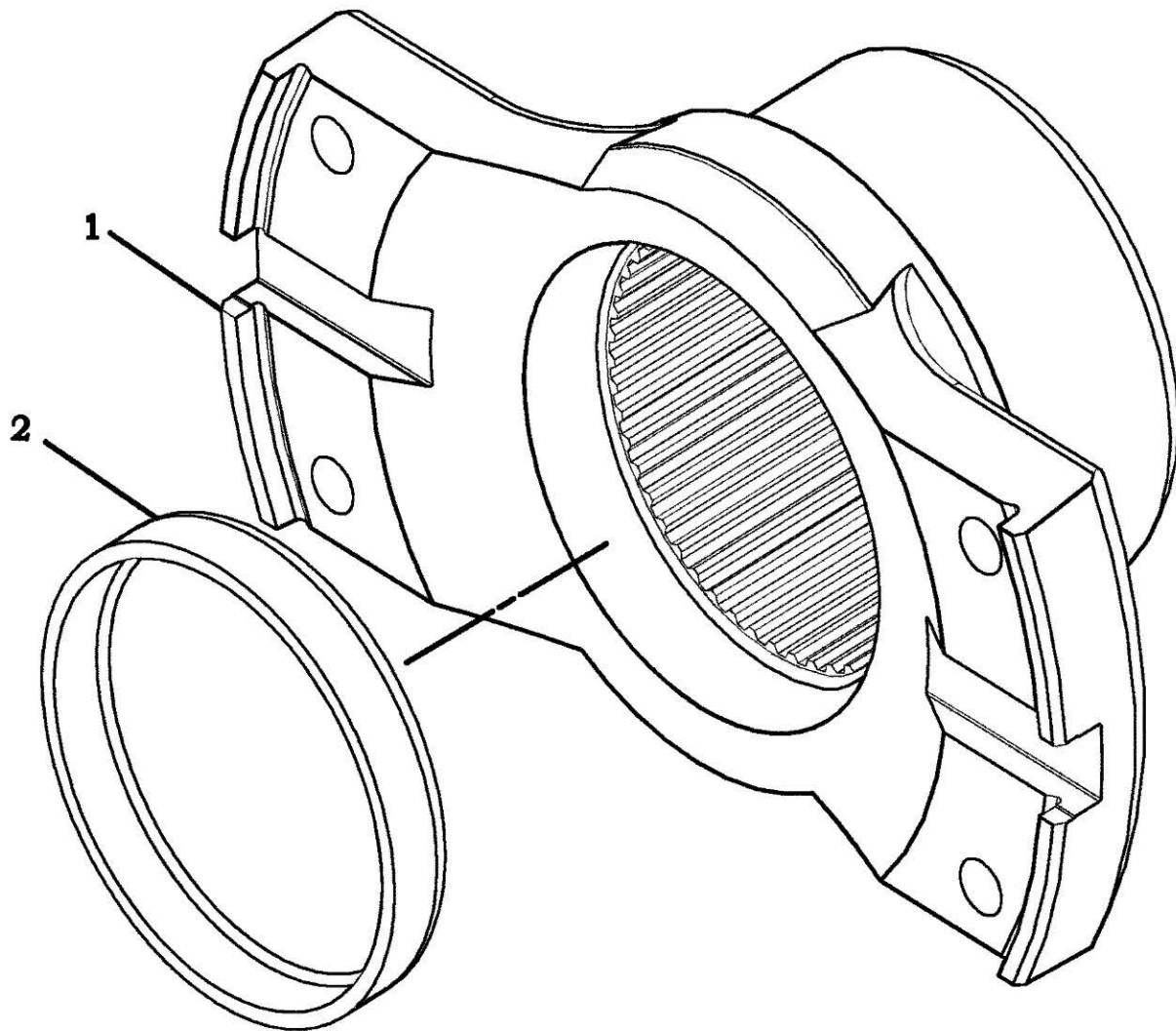
265-5742-2



265-5742 - COVER GROUP, TRANSMISSION

ITEM	PART NUMBER	QTY	DESCRIPTION COMMENTS	TECHNICAL SPECIFICATION
1	265-5743	1	COVER	
2	164-2619	1	PLUG	
3	2H-6338	1	O-RING	
4	2K-2939	1	O-RING SEAL	
5	7J-2990	1	COVER	
6	8T-4189	8	HEXAGONAL HEAD BOLT	M8 X 1.25 X 20MM, CL10.9
7	8T-4192	2	BOLT	M12 X 1.75 X 25MM
8	8T-4223	2	FLAT WASHER	DIAM : 13,5-25,5 X 3 MM

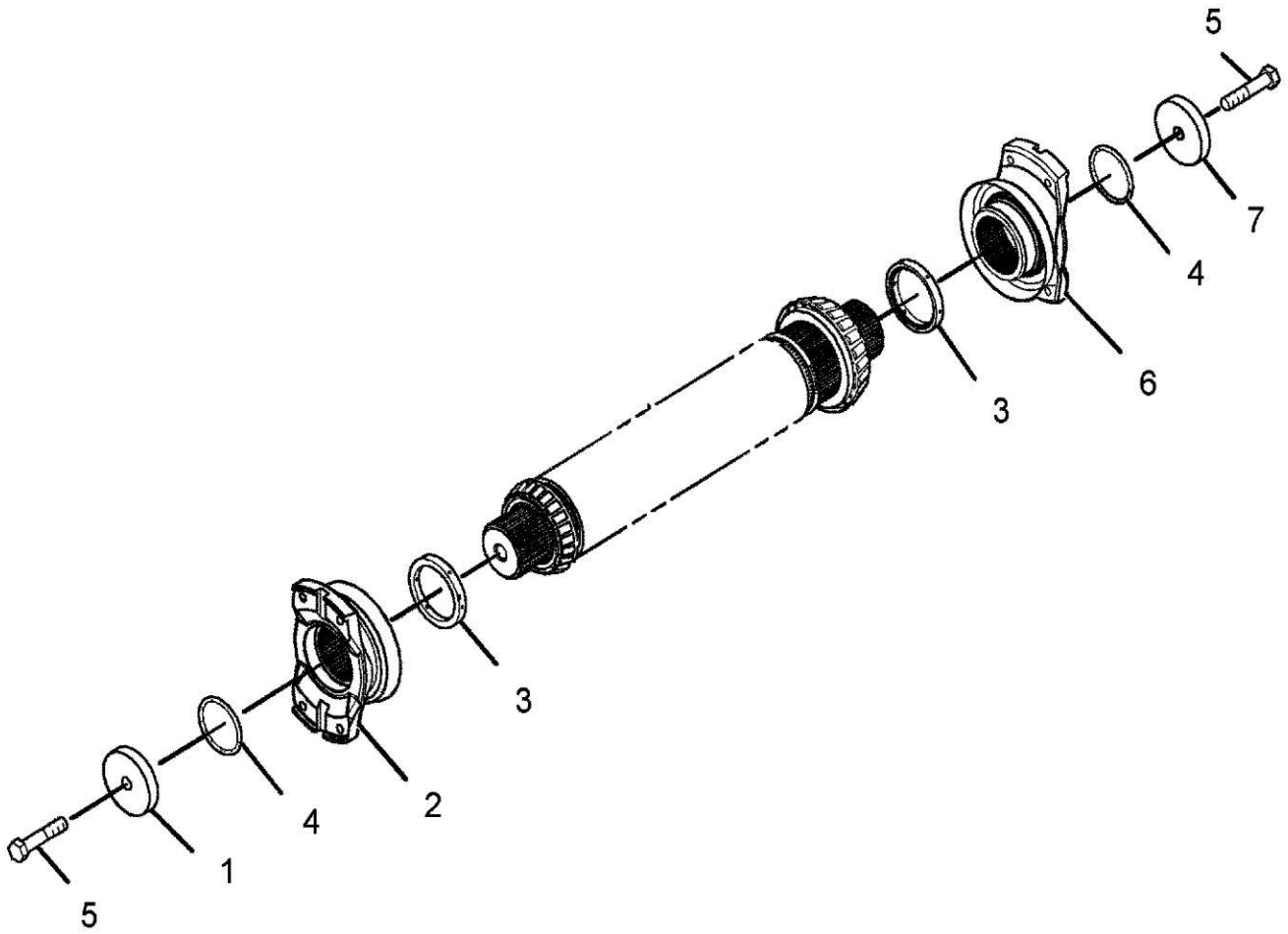
267-6618-A



267-6618 - YOKE GROUP, INPUT

ITEM	PART NUMBER	QTY	DESCRIPTION COMMENTS	TECHNICAL SPECIFICATION
1	273-4082	1	YOKE INPUT	
2	3T-8747	1	PLUG	

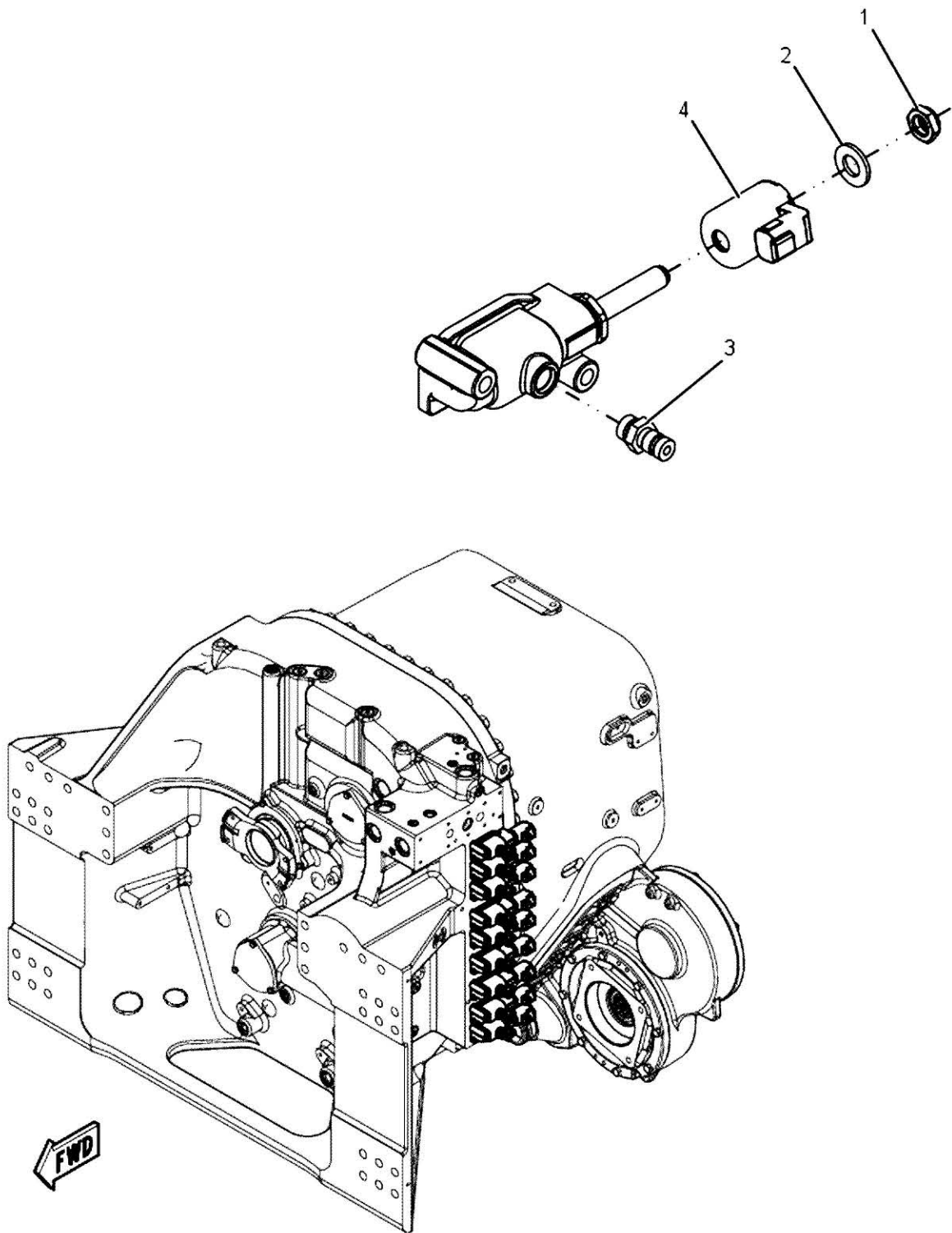
267-6621-03-W108



267-6621 - YOKE GROUP, OUTPUT

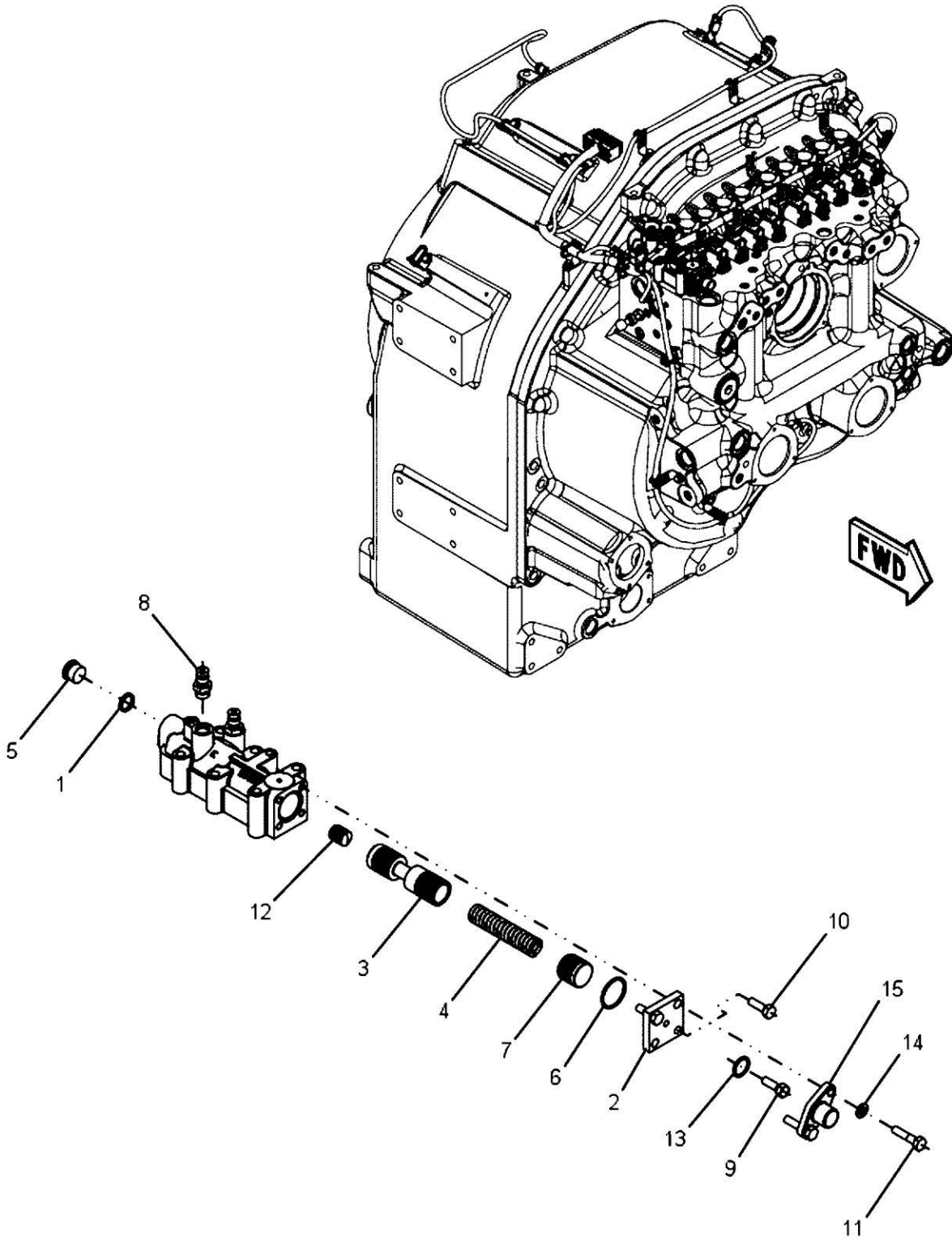
ITEM	PART NUMBER	QTY	DESCRIPTION COMMENTS	TECHNICAL SPECIFICATION
1	9S-4372	1	RETAINER	
2	312-3534	1	YOKE OUTPUT, FRONT	
3	265-5741	2	SPACER	
4	7F-2122	2	O-RING SEAL	
5	8T-0281	2	BOLT	M16 X 2 X 80MM
6	305-3372	1	YOKE REAR	
7	273-4089	1	RETAINER REAR	

244-7772-02-



ITEM	PART NUMBER	QTY	DESCRIPTION COMMENTS	TECHNICAL SPECIFICATION
1	156-5970	1	HEX NUT	1/2"-28
2	164-2108	1	FLAT WASHER	
3	400324X1	1	QUICK COUPLER NIPPLE	9/16"-18, -6 STOR
	400318X1	1	O-RING	11.89MM ID X 1.98MM
4	323-9533	1	COIL TOP LEVEL, UPPER	

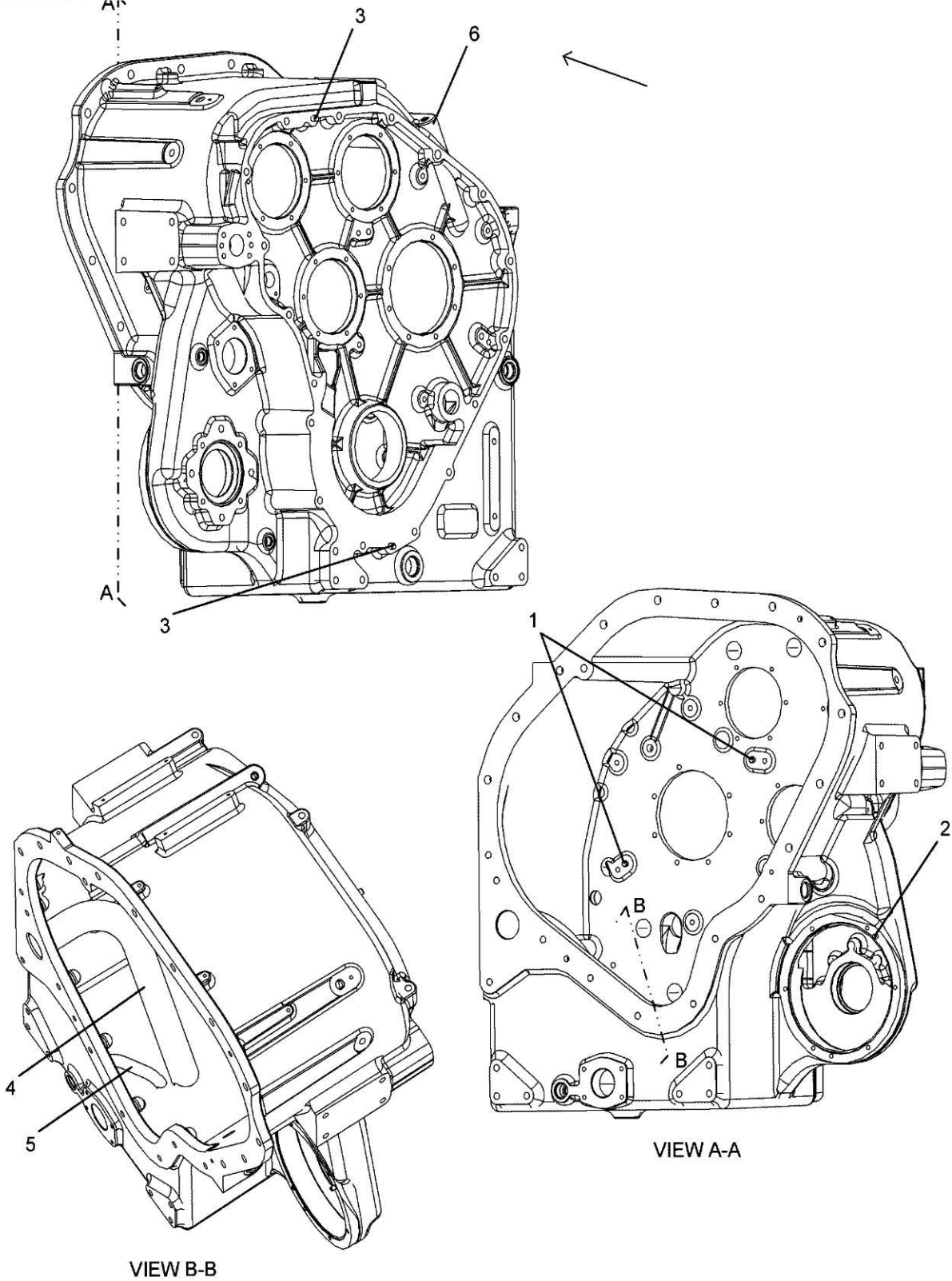
448-4251-1-



448-4251 - RELIEF VALVE GROUP-C

ITEM	PART NUMBER	QTY	DESCRIPTION COMMENTS	TECHNICAL SPECIFICATION
1	3K-0360	1	O-RING	SEAL 16.3IDX2.21 DIA
2	115-4550	1	COVER	
3	172-7968	1	SPOOL	
4	174-7449	1	SPRING	
5	241-6205	1	PLUG	3/4"-16, -8 STOR
6	2S-4663	1	O-RING	
7	2S-5835	1	PISTON	
8	400324X1	2	QUICK COUPLER NIPPLE	9/16"-18, -6 STOR
9	4M-5905	1	ADJUSTING SCREW	5/16"-18 X 1"
10	6V-3940	2	HEXAGONAL HEAD BOLT	M8 X 1.25 X 25MM
11	6V-5218	2	HEXAGONAL HEAD BOLT	M8 X 1.25 X 35MM
12	8E-1143	1	SLUG	
13	8M-5253	1	O-RING	
14	9M-1974	2	FLAT WASHER	DIAM : 8,8-16 X 2 MM
15	9M-2110	1	COVER	

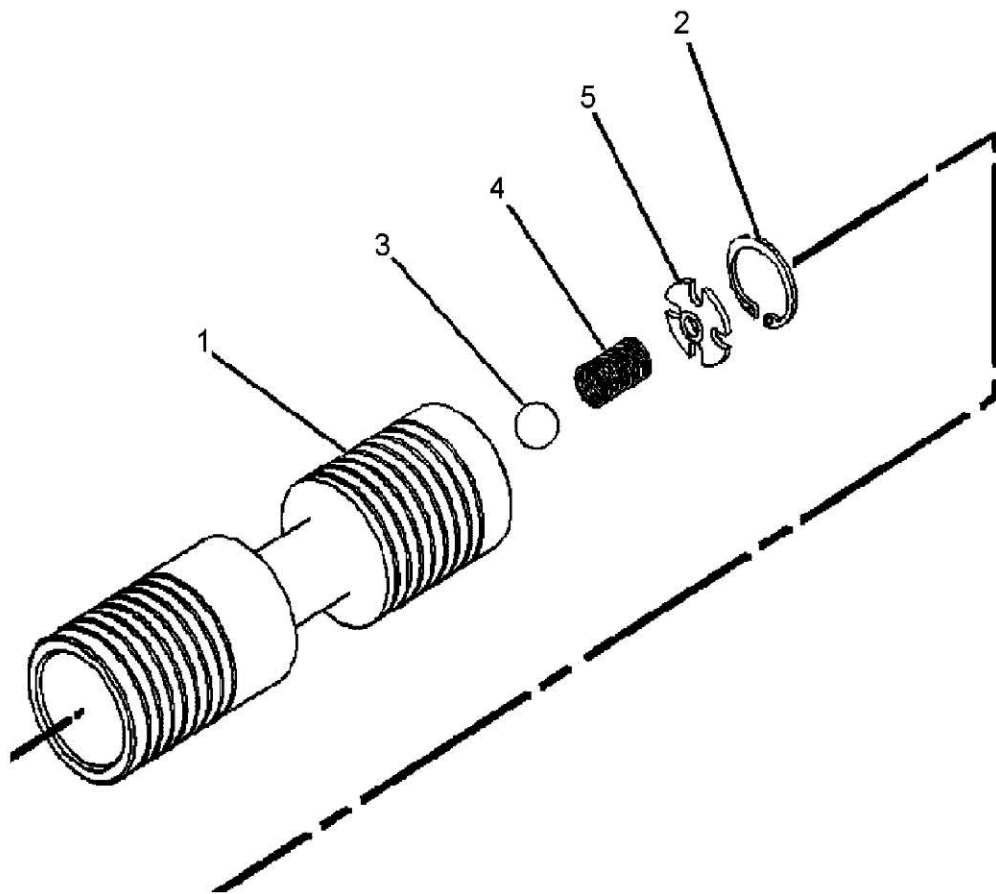
265-5701-3-Y927



265-5701 - CASE ASSEMBLY, REAR

ITEM	PART NUMBER	QTY	DESCRIPTION COMMENTS	TECHNICAL SPECIFICATION
1	3F-0957	2	DOWEL	
2	5B-5821	1	DOWEL PIN	9.37MM X 25.5MM
3	5M-7937	2	DOWEL	
4	273-4103	1	TUBE	
5	273-4105	1	TUBE	
6	273-4101	1	CASE	

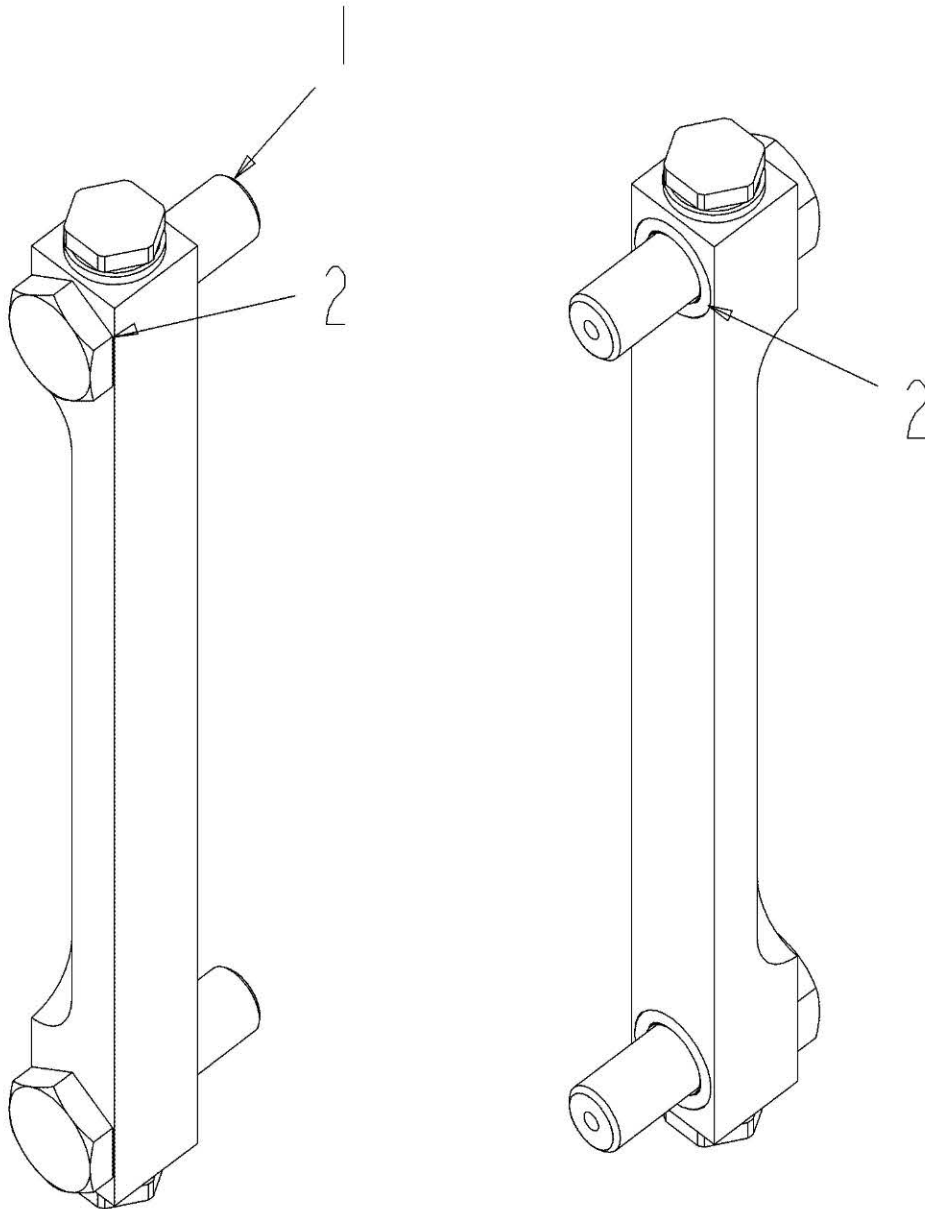
172-7968-01-K543



172-7968 - SPOOL ASSEMBLY

ITEM	PART NUMBER	QTY	DESCRIPTION COMMENTS	TECHNICAL SPECIFICATION
1	172-7967	1	SPOOL	
2	3D-8317	1	INTERNAL RETAINING RING	
3	4B-9880	1	BALL	
4	4M-2381	1	COMPRESSION SPRING	
5	9U-8669	1	RETAINER	

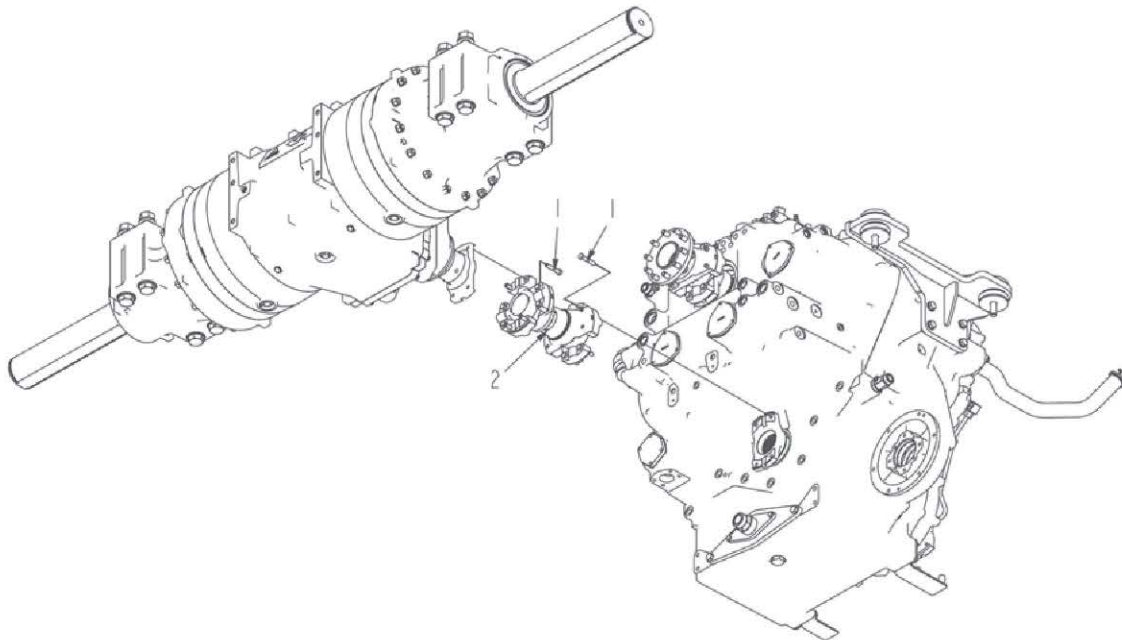
521094D1-01-R565



521094D1 - SIGHT GAUGE

ITEM	PART NUMBER	QTY	DESCRIPTION COMMENTS	TECHNICAL SPECIFICATION
1	CH114-4231	2	HEXAGONAL HEAD BOLT	1/2"-20
2	CH122-8352	4	O-RING SEAL	15.54 X 2.62

547755D1-2-



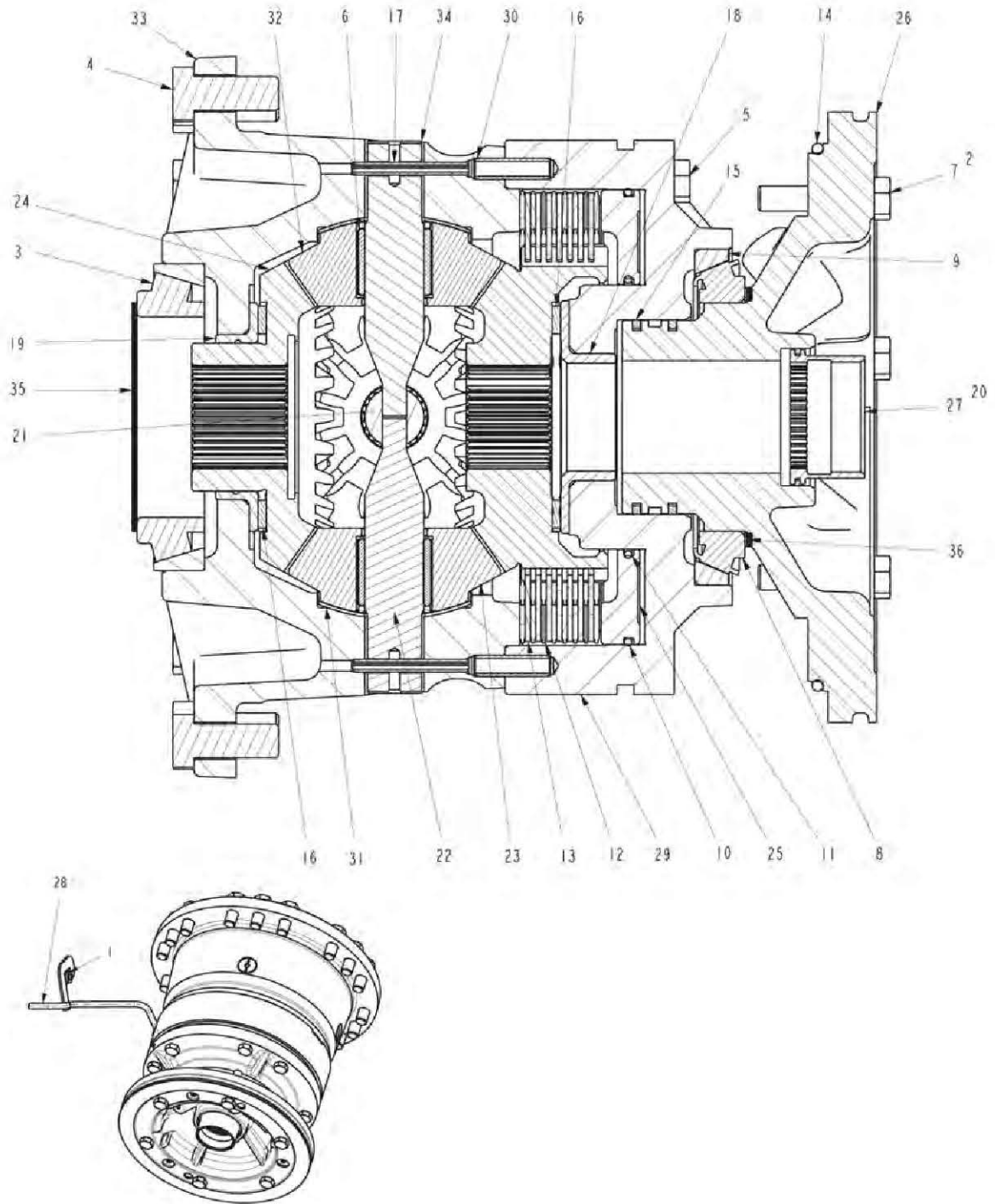
547755D1 - SHAFT GROUP - FRONT

ITEM	PART NUMBER	QTY	DESCRIPTION COMMENTS	TECHNICAL SPECIFICATION
1	400063X1	8	HEXAGONAL HEAD BOLT	M12 X 1-3/4" X 60MM, CL10.9
2	547756D1	1	DRIVE SHAFT	
	547754D1		U-JOINT	
	400063X1		HEXAGONAL HEAD BOLT	M12 X 1-3/4" X 60MM, CL10.9

547757D1 - SHAFT GROUP - REAR

ITEM	PART NUMBER	QTY	DESCRIPTION COMMENTS	TECHNICAL SPECIFICATION
1	AG550280	1	GREASE FITTING	1/8"-27 F NPT X 0.66"
2	400063X1	12	HEXAGONAL HEAD BOLT	M12 X 1-3/4" X 60MM, CL10.9
3	400031X1	2	HEXAGONAL HEAD BOLT	M20 X 2.5 X 60MM, CL10.9
4	547758D1	1	DRIVE SHAFT	
	547754D1	2	U-JOINT	
	400063X1	8	HEXAGONAL HEAD BOLT	M12 X 1-3/4" X 60MM, CL10.9
5	547759D1	1	DRIVE SHAFT	
	505230D1	1	SUPPORT	
	547754D1	1	U-JOINT	
	400063X1	4	HEXAGONAL HEAD BOLT	M12 X 1-3/4" X 60MM, CL10.9
6	CH8T-5439	2	FLAT WASHER	21.5MM ID X 45MM OD X 6MM

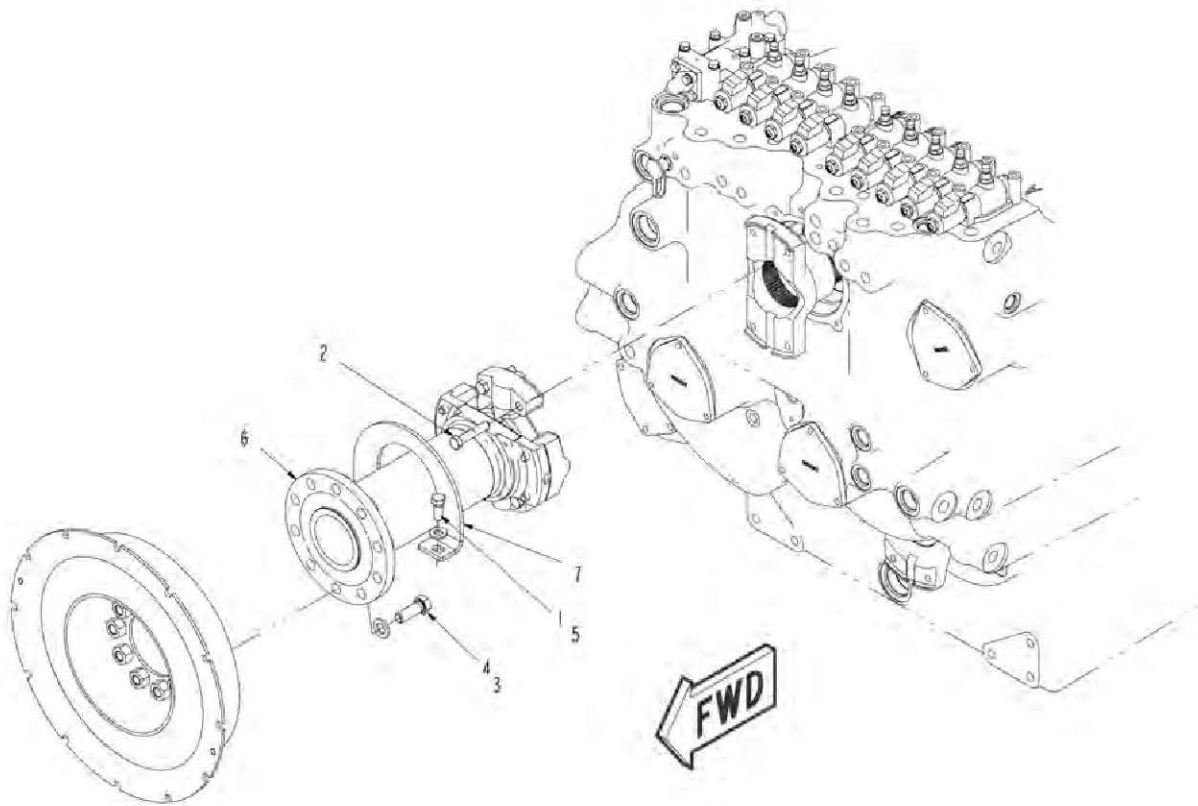
559053D1-1-



559053D1 - DIFFERENTIAL ASSEMBLY - SERVICE KIT

ITEM	PART NUMBER	QTY	DESCRIPTION COMMENTS	TECHNICAL SPECIFICATION
			APPLIES TO ALL TRACTORS WITH BASIC HVAC.	
1	1440921X1	1	FLAT WASHER	8,4-22 X 2 MM STEEL ZN
2	1611277M1	1	PIN	Ø 16 X 20 MM STEEL PL
3	3010538X91	1	BEARING	95X145X32-STEEL-PL
4	3012025X1	18	HEXAGONAL HEAD BOLT	M16 X 40 CL10.9 PH
5	3012026X1	8	HEXAGONAL HEAD BOLT	M12 X 110 X 107 X 20-ISO 10.9
6	3014363X1	100	BEARING NEEDLE	4MM X 31.8MM, STEEL, PL
7	3019852X1	6	HEXAGONAL HEAD BOLT	M12 X 55 CL10.9 PH
8	3039248M1	1	BEARING CONE	107.950X21.438-STEEL-ZN
9	3039249M1	1	BEARING CUP	158.750X15.875-STEEL-ZN
10	359008X1	1	O-RING	Ø 209,14 X 3,53 MM
11	359112X1	1	O-RING	126.59X3.53-DIDC 70-PL
12	3616741M1	8	CLUTCH DISC	
13	3616742M1	7	COUNTERPLATE	
14	3716335M1	1	O-RING	Ø 246,00 X 5,33 MM
15	3716580M3	2	SEGMENT	
16	3792454M1	2	WASHER	78-108 X 4 MM
17	391464X1	2	SLOTTED PIN	Ø 6 X 55 MM PL
18	4302070M3	1	BUSH	
19	4302105M3	1	BUSH	
20	4306148M1	1	SEGMENT	
21	4307407M3	1	CLEVIS PIN	
22	4307413M1	4	SPACER	
23	4309049M1	1	PLANET	
24	4309050M1	1	PINION	
25	4310170M1	1	PISTON	
26	4310239M91	1	SUPPORT	
27	4310241M1	1	SLEEVE TOOTH	
28	4310973M91	1	TUBE	
29	4312820M91	1	DIFFERENTIAL HOUSING	
30	4312821M1	2	PIN	10X35
31	4312861M1	4	WASHER	
32	598262D1	4	PINION GEAR	DIFF PLANETARY
33	4312863M1	1	CASING	
34	4314078M1	2	SPIDER	
35	530814D1	1	SHIM KIT	PACK-BZ
36	530815D1	1	KIT, SHIMS	PACK-AM

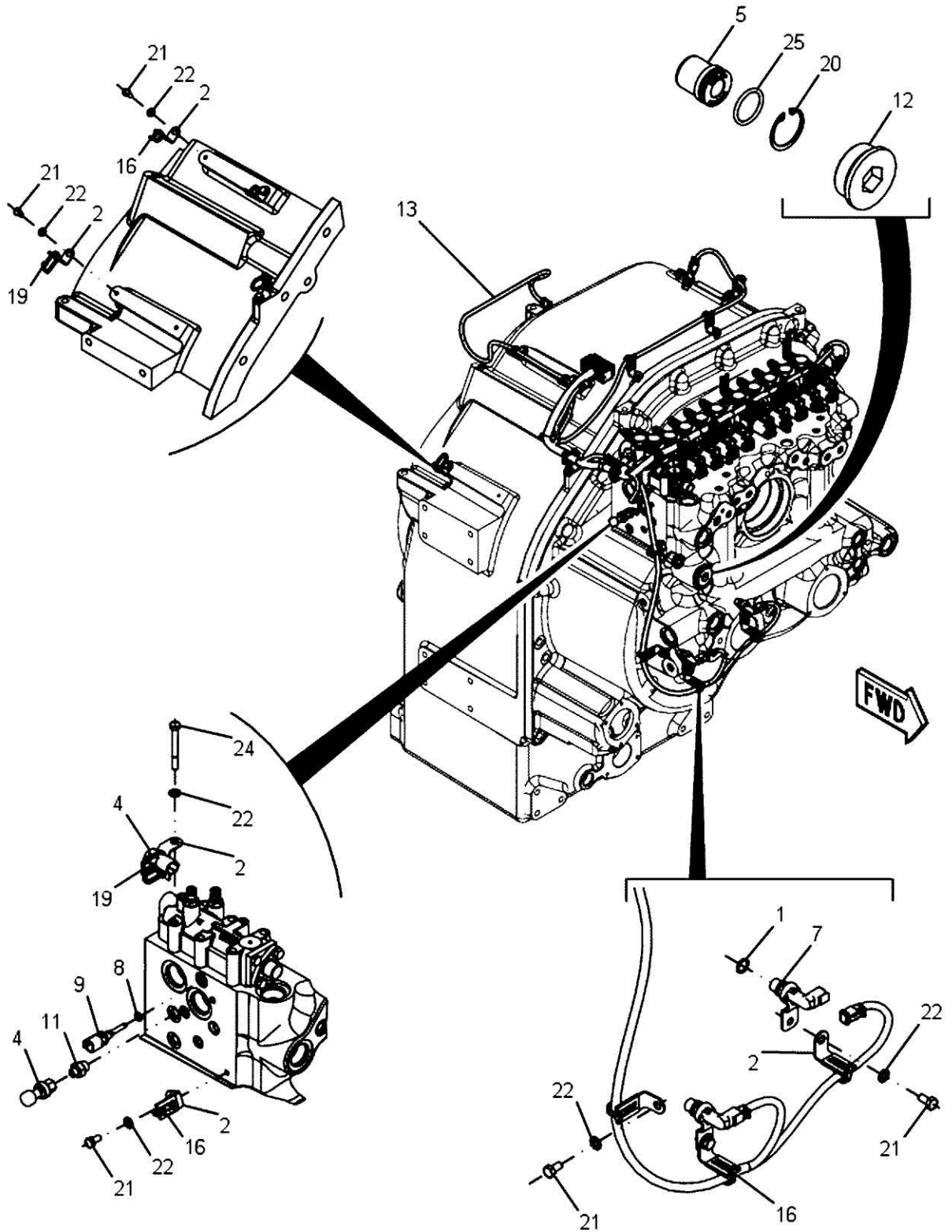
555678D1-3-



555678D1 - SHAFT GROUP - INPUT SHAFT

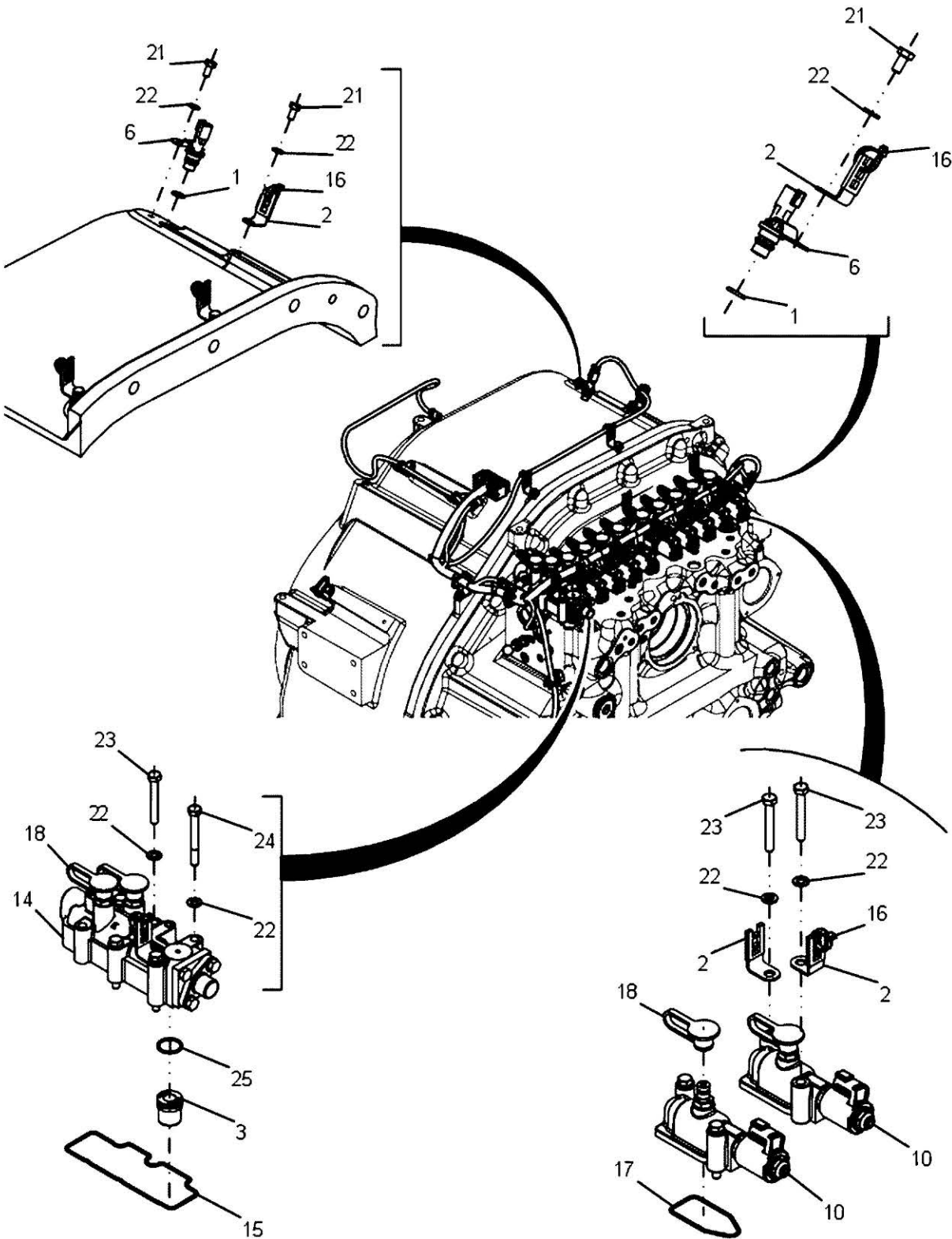
ITEM	PART NUMBER	QTY	DESCRIPTION COMMENTS	TECHNICAL SPECIFICATION
1	400041X1	2	HEXAGONAL HEAD BOLT	M12 X 1.75 X 30MM, CL10.9
2	400063X1	4	HEXAGONAL HEAD BOLT	M12 X 1-3/4" X 60MM, CL10.9
3	400082X1	10	FLAT WASHER	17.5MM X 30MM
4	400244X1	10	BOLT	M16 X 2 X 45MM, CL10.9
5	400357X1	2	FLAT WASHER	M12 X 25.5 X 3MM
6	555677D1	1	DRIVE SHAFT	
7	555858D1	1	BRACKET	

448-4253-1-01



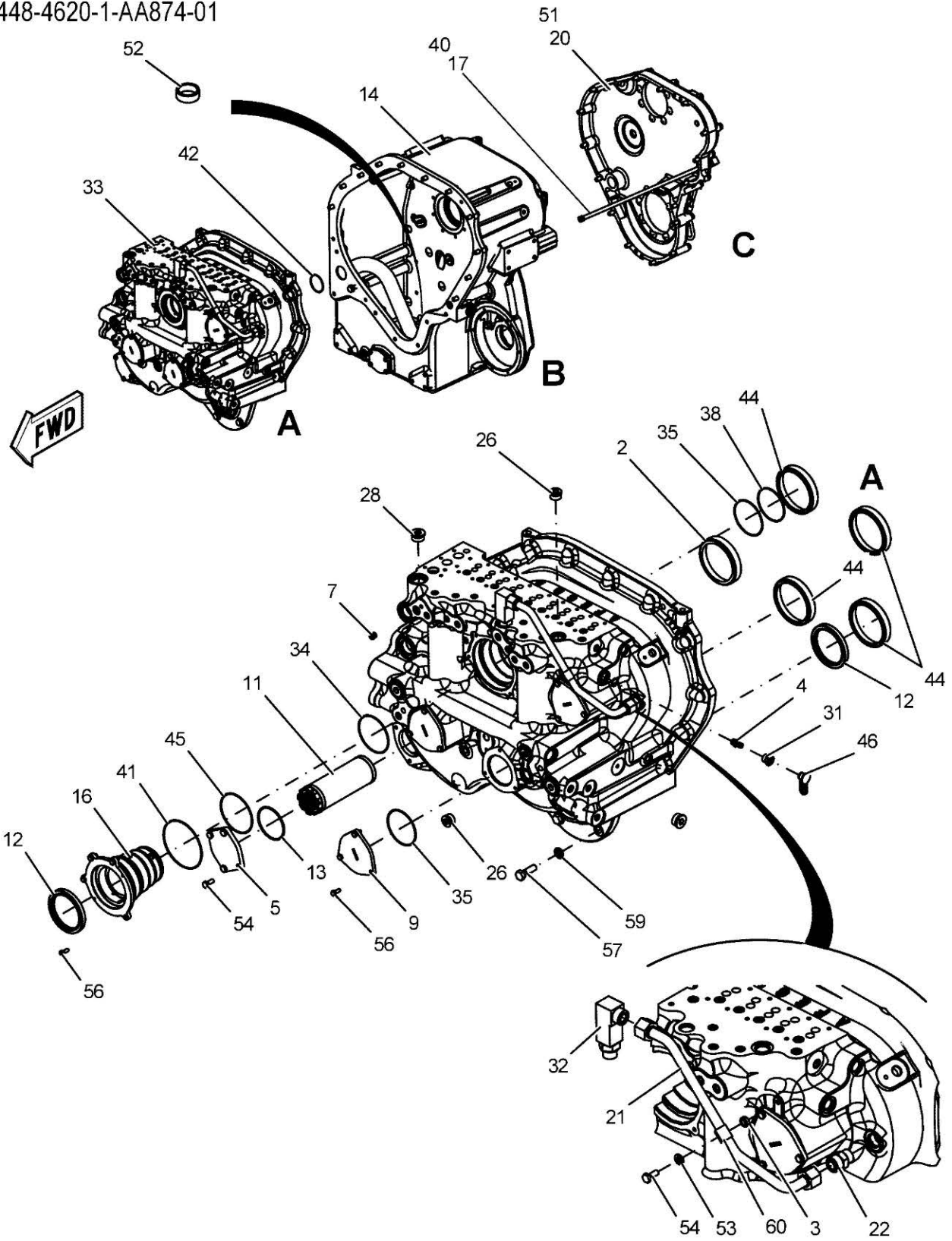
ITEM	PART NUMBER	QTY	DESCRIPTION COMMENTS	TECHNICAL SPECIFICATION
1	117-1385	4	O-RING	13.94MM ID X 2.62MM
2	132-5789	21	CLIP	
4	161-9932	1	SENSOR	
5	165-0390	1	RELIEF VALVE	
7	191-8304	2	SPEED SENSOR	
8	228-7100	1	O-RING	9MM
9	238-0112	1	SENSOR	
11	329-5451	1	ADAPTER	
	3J-7354	1	SEAL	
	3J-1907	1	O-RING SEAL	11.89MM X 1.98MM
12	329-5455	1	SOCKET HEAD PLUG	-20 STOR
13	351-3531	1	HARNESS	
16	CH3S-2093	16	CABLE TIE	
19	CH7K-1181	4	TIE STRAP	
20	8C-3428	1	RETAINING RING	32.7MM OD X 1.2MM
21	8T-4200	13	HEXAGONAL HEAD BOLT	M8 X1.25 X 16, CL10.9
22	CH8T-4224	37	WASHER	8.8MM ID X 16MM OD X 2MM
24	8T-6870	3	HEXAGONAL HEAD BOLT	M8 X 1.25 X 70MM, CL10.9
25	9X-4609	2	O-RING	23.47MM ID X 2.62MM

448-4253-1-02



ITEM	PART NUMBER	QTY	DESCRIPTION COMMENTS	TECHNICAL SPECIFICATION
1	117-1385	4	O-RING	13.94MM ID X 2.62MM
2	132-5789	21	CLIP	
3	148-1925	1	RELIEF VALVE	
6	191-8303	2	SPEED SENSOR	
10	244-7772	9	CONTROL VALVE SEE PAGE 05-0030	
14	448-4251	1	RELIEF VALVE SEE PAGE 05-0031	
15	2P-1692	1	O-RING	133.02MM ID X 2.62MM
16	CH3S-2093	16	CABLE TIE	
17	6D-7889	9	O-RING	61.59MM ID X 1.84MM
18	6V-0852	11	DUST CAP	
21	8T-4200	13	HEXAGONAL HEAD BOLT	M8 X1.25 X 16, CL10.9
22	CH8T-4224	37	WASHER	8.8MM ID X 16MM OD X 2MM
23	8T-6869	21	HEXAGONAL HEAD BOLT	M8 X 1.25 X 60MM, CL10.9
24	8T-6870	3	HEXAGONAL HEAD BOLT	M8 X 1.25 X 70MM, CL10.9
25	9X-4609	2	O-RING	23.47MM ID X 2.62MM

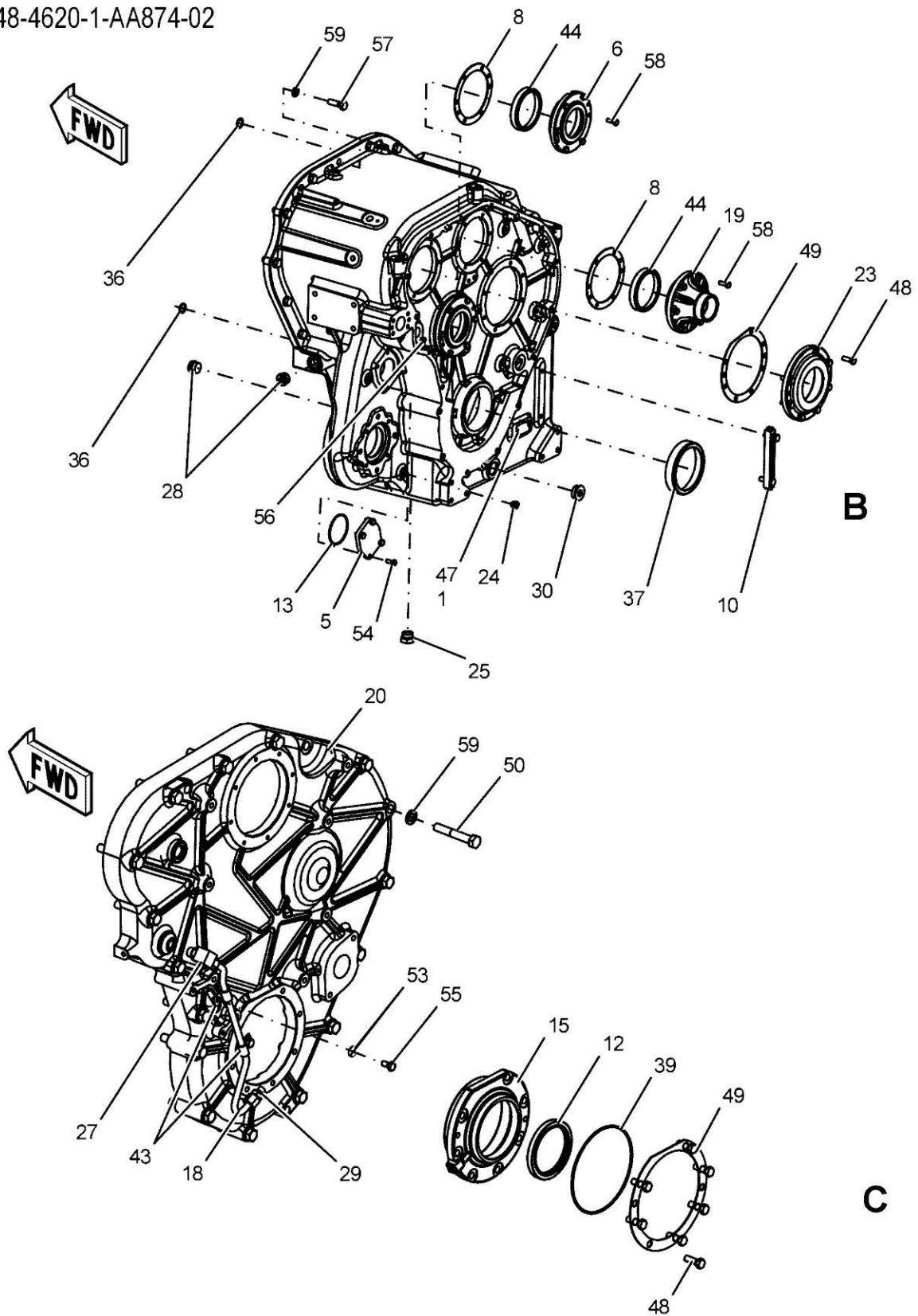
448-4620-1-AA874-01



448-4260-01 - CASE AND PARTS GROUP - PLANETARY

ITEM	PART NUMBER	QTY	DESCRIPTION COMMENTS	TECHNICAL SPECIFICATION
2	112-8988	1	CUP	
3	132-7551	1	SPACER	
4	400324X1	1	QUICK COUPLER NIPPLE	9/16"-18, -6 STOR
	400318X1	1	O-RING	11.89MM ID X 1.98MM
5	170-7290	3	PUMP COVER	
7	183-3407	2	SOCKET HEAD PLUG	AS-STOR
9	188-2162	3	COVER	135MM X 9MM
11	207-5993	1	SCREEN FILTER	
12	216-0273	3	LIP SEAL	101.6MM X 127.1MM X 12.7MM
13	258-8738	3	O-RING	99MM
14	265-5701	1	CASE	
16	267-6637	1	SEAL HOUSING	170MM OD
17	267-6638	1	TUBE	
20	273-4104	1	COVER	
21	273-4106	1	TUBE	
22	281-5972	1	ADAPTER	
	3D-2824	1	O-RING	
	6V-9746	1	O-RING SEAL	22.5MM OD X 1.78MM DIA
26	315-9859	3	PLUG	32MM
28	319-6234	8	PLUG	38MM
31	329-5459	1	ADAPTER	20.6MM X 29.33MM
	238-5081	1	O-RING	19.18MM OD
32	330-9734	1	ELBOW FITTING	
	3D-2824	1	O-RING	
	6V-9746	1	O-RING SEAL	22.5MM OD X 1.78MM DIA
33	376-3457	1	TRANSMISSION CASE	
34	1T-1068	1	O-RING	107.62MM ID
35	3K-0715	4	SEAL	
38	4F-4097	1	O-RING	94.92MM ID X 2.62MM
40	5H-8038	2	O-RING	15.24MM ID X 5.33MM
41	5J-3886	1	O-RING	139.37MM ID X 2.62MM
42	5P-4889	1	SEAL	
44	6F-2956	7	BEARING CUP	
45	6S-3002	1	O-RING SEAL	113.97MM X 2.52MM
46	6V-0852	1	DUST CAP	
51	8C-8422	39	GASKET SEALPASTE	
52	8M-7160	1	MAGNET	
53	8T-4121	3	FLAT WASHER	DIAM : 11-21 X 2,5 MM
54	8T-4136	13	HEX CAP SCREW	M10 X 25
56	8T-4189	14	HEXAGONAL HEAD BOLT	M8 X 1.25 X 20MM, CL10.9
57	8T-4193	20	BOLT	M16 X 2 X 50MM
59	9X-8257	37	FLAT WASHER	DIAM : 17,5-30 X 3,5 MM
60	CH3S-8664	1	CLIP	19.05 ID

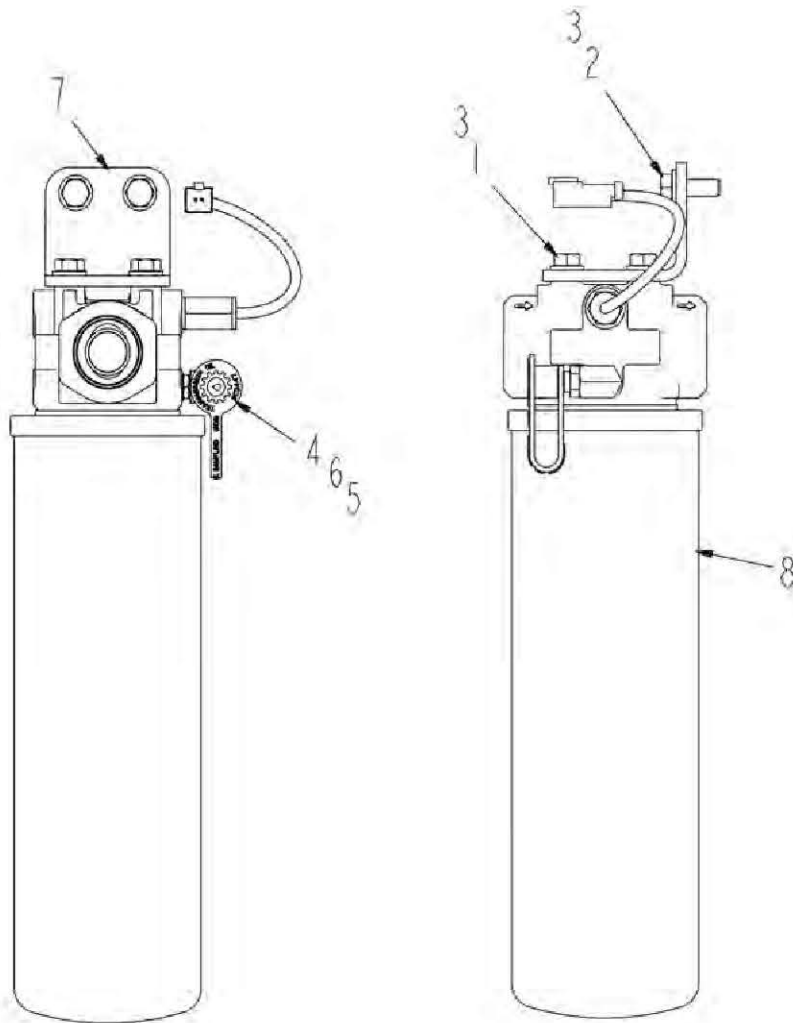
448-4620-1-AA874-02



448-4260-02 - CASE AND PARTS GROUP - PLANETARY

ITEM	PART NUMBER	QTY	DESCRIPTION COMMENTS	TECHNICAL SPECIFICATION
1	082-2817	2	FASTENER	
5	170-7290	3	PUMP COVER	
6	177-6741	2	BEARING RETAINER	197MM OD X 43MM
8	187-1376	3	SHIM	197MM OD X 2.4MM
10	195-2178	1	SIGHT GAUGE	
12	216-0273	3	LIP SEAL	101.6MM X 127.1MM X 12.7MM
13	258-8738	3	O-RING	99MM
15	265-5740	1	BEARING	
18	273-4077	1	TUBE	
19	273-4084	1	BEARING	
20	273-4104	1	COVER	
23	300-8587	1	BEARING	
24	307-2673	2	SOCKET HEAD PLUG	3/4"-16
25	309-5133	1	PLUG	38.1MM X 28.23MM
27	319-6225	1	ADAPTER	
28	319-6234	8	PLUG	38MM
29	319-6240	1	CONNECTOR	
	3J-1907	1	O-RING SEAL	11.89MM X 1.98MM
	6V-8398	1	O-RING SEAL	16.03MMOD X 1.78MM DIA
30	329-5455	1	SOCKET HEAD PLUG	-20 STOR
36	3P-1155	2	SEAL	
37	4B-8394	1	BEARING CUP	
39	4H-6520	1	O-RING SEAL	
43	5P-9299	2	CLIP	
44	6F-2956	7	BEARING CUP	
47	6V-1720	1	PLATE	
48	6V-8675	14	BOLT	M12 X 1.75 X 35MM, CL10.9
49	6Y-6329	2	SHIM	
50	7X-2556	17	HEXAGONAL HEAD BOLT	M16 X 2 X 100MM, CL10.9
53	8T-4121	3	FLAT WASHER	DIAM : 11-21 X 2,5 MM
54	8T-4136	13	HEX CAP SCREW	M10 X 25
55	8T-4137	2	HEX CAP SCREW	M10 X 20
56	8T-4189	14	HEXAGONAL HEAD BOLT	M8 X 1.25 X 20MM, CL10.9
57	8T-4193	20	BOLT	M16 X 2 X 50MM
58	8T-4195	18	HEXAGONAL HEAD BOLT	M10 X 1.5 X 30MM, CL10.9
59	9X-8257	37	FLAT WASHER	DIAM : 17,5-30 X 3,5 MM

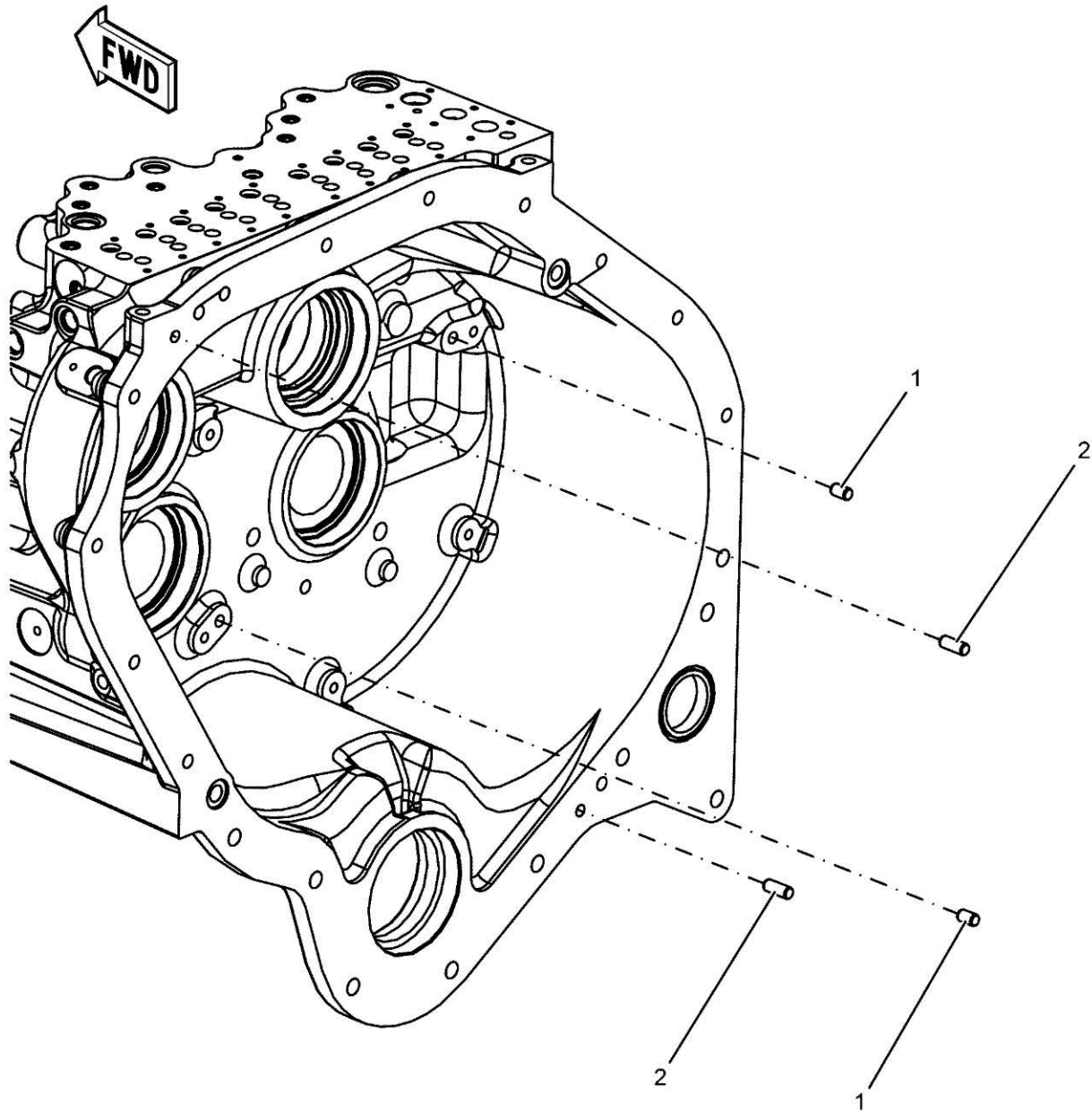
564543D1-4



564543D1 - TRANSMISSION FILTER

ITEM	PART NUMBER	QTY	DESCRIPTION COMMENTS	TECHNICAL SPECIFICATION
1	400039X1	4	HEXAGONAL HEAD BOLT	M10 X 1.5 X 25MM, CL10.9
2	400058X1	2	HEXAGONAL HEAD BOLT	M10 X 1.5 X 30MM
3	400287X1	6	FLAT WASHER	11MM X 21MM X 2.5MM
4	400363X1	1	DUST CAP	12.6 DIA, RUBBER
5	400364X1	1	ELBOW	-4 PORT X -4 ORFS, 45D
	400361X1	1	O-RING	8.92MM ID X 1.83MM
6	400577X1	1	VALVE	
	400361X1	1	O-RING	8.92MM ID X 1.83MM
7	565938D1	1	FILTER BRACKET	
8	557982D1	1	PRESSURE SWITCH SEE PAGE 09-0020	
	566099D1	1	OIL FILTER ASSEMBLY	
	534039D1	1	FILTER ELEMENT	
	400360X1	1	O-RING SEAL	7.65MM X 1.78MM
	400318X1	1	O-RING	11.89MM ID X 1.98MM
	400511X1	1	LOCK	
	400562X1	2	ELECTRICAL CONNECTOR	16-18 AWG
	400555X1	-	SLEEVE BULK: 140 MM	
	400484X1	1	CONNECTOR RECEPTACLE	

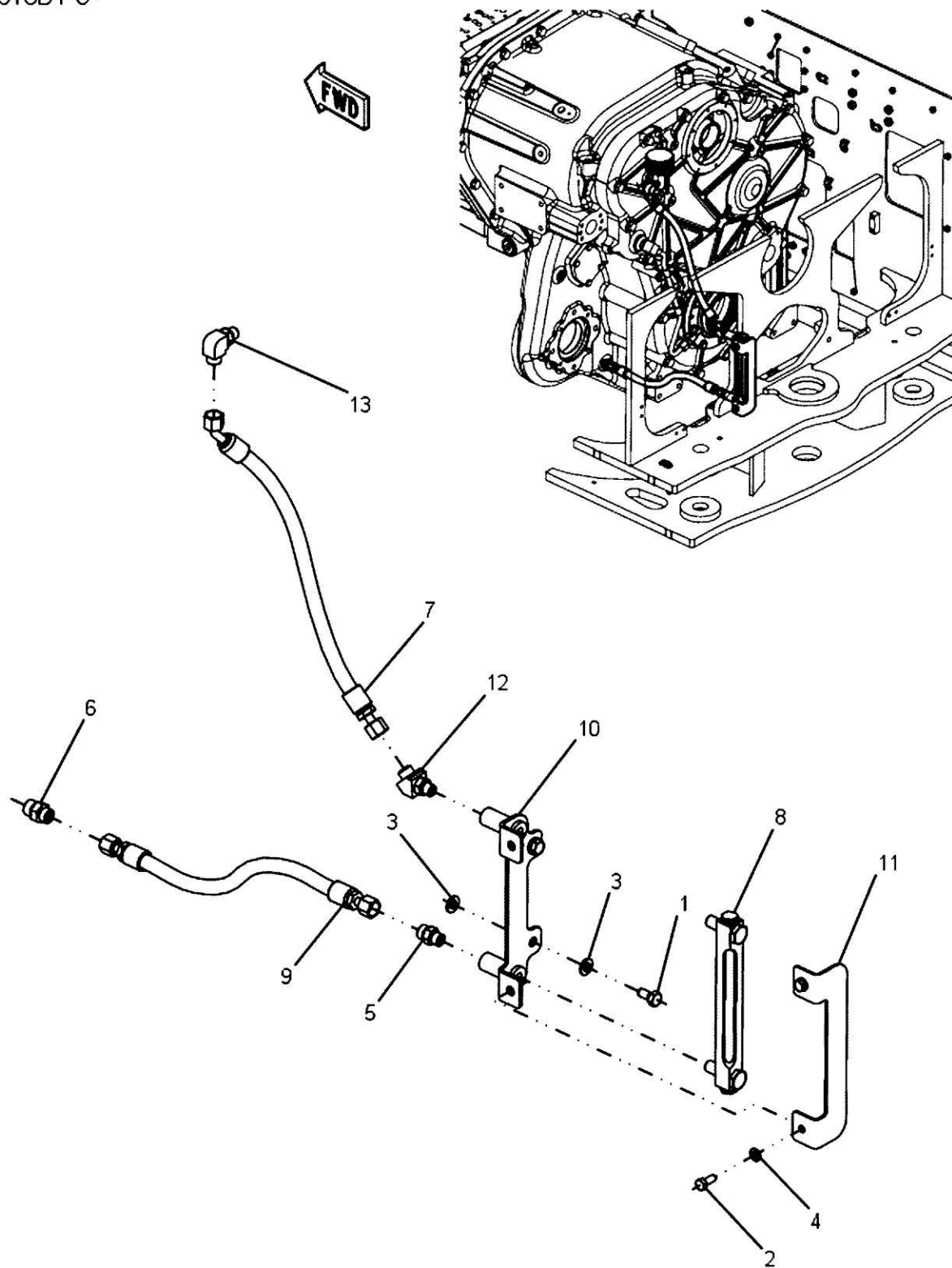
376-3457-1-AA640-



376-3457 - FRONT CASE

ITEM	PART NUMBER	QTY	DESCRIPTION COMMENTS	TECHNICAL SPECIFICATION
1	3F-0957	2	DOWEL	
2	5M-7937	2	DOWEL	

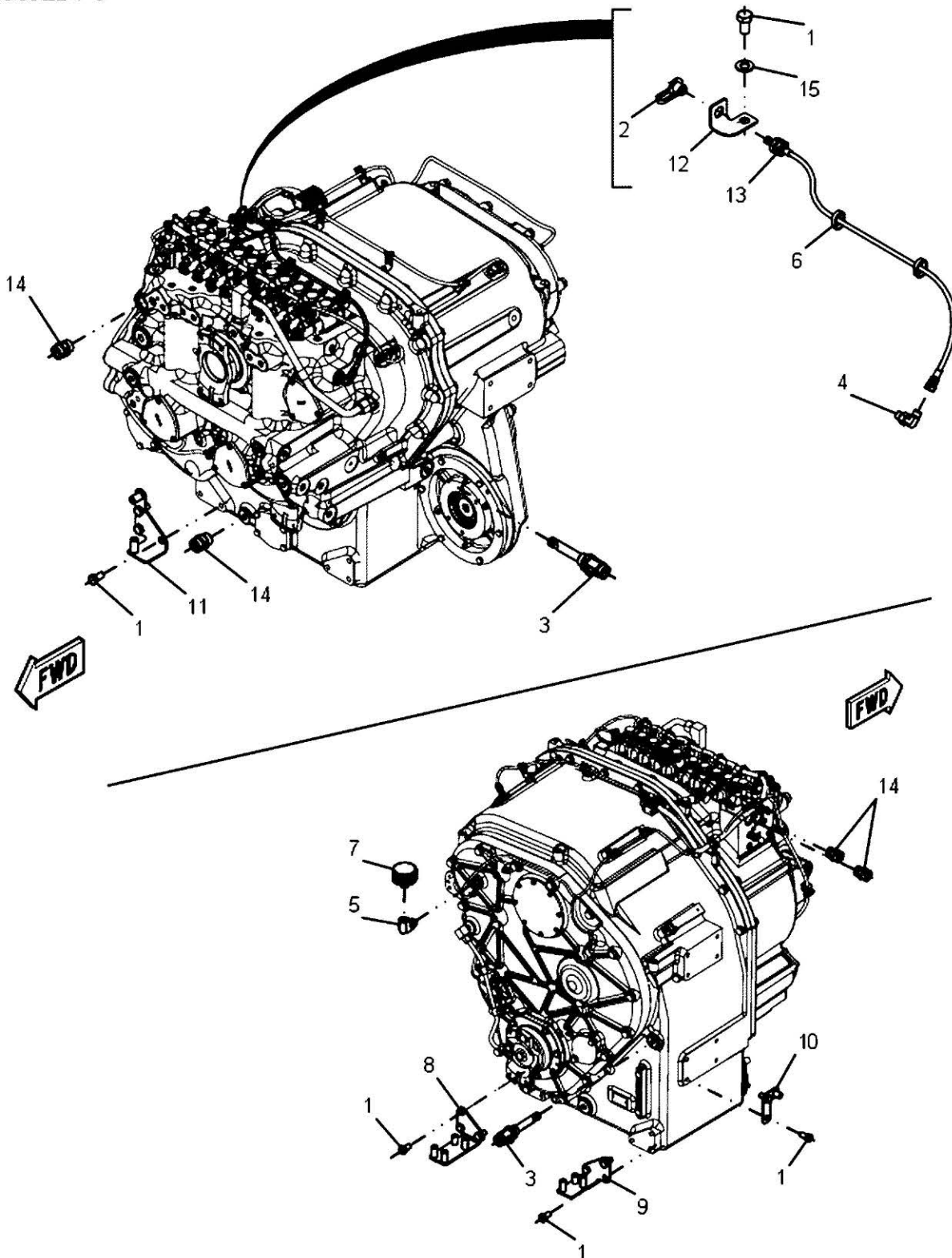
564618D1-3



564618D1 - SIGHT GAUGE INSTALLATION - TRANSMISSION

ITEM	PART NUMBER	QTY	DESCRIPTION COMMENTS	TECHNICAL SPECIFICATION
1	400040X1	2	HEXAGONAL HEAD BOLT	M10 X 1.5 X 20MM, CL10.9
2	400053X1	2	HEXAGONAL HEAD BOLT	M8 X 1.25 X 20MM, CL10.9
3	400287X1	4	FLAT WASHER	11MM X 21MM X 2.5MM
4	400339X1	1	FLAT WASHER	9MM X 16MM X 2MM
5	400367X1	1	CONNECTOR FITTING	-6 STOR X -6 ORFS
	400318X1	1	O-RING	11.89MM ID X 1.98MM
	400378X1	1	O-RING	12.83MM OD X 1.78MM
6	400628X1	1	ADAPTER FITTING	3/4-16 MORB X 11/16-16 MORFS
	400378X1	1	O-RING	12.83MM OD X 1.78MM
	CH3K-0360	1	O-RING	16.36MM ID X 2.21MM
7	519350D1	1	HOSE	
8	521094D1	1	SIGHT GAUGE	
9	556860D1	1	HYDRAULIC HOSE	9.52MM X 453MM
10	574121D1	1	BRACKET	
11	574123D1	1	BRACKET	
12	CH148-8353	1	ELBOW FITTING	9/16"-18 X 11/16"-16, 45D
	400318X1	1	O-RING	11.89MM ID X 1.98MM
	400378X1	1	O-RING	12.83MM OD X 1.78MM
13	CH148-8378	1	ELBOW FITTING	9/16"-18 X 11/16"-16
	400318X1	1	O-RING	11.89MM ID X 1.98MM
	400378X1	1	O-RING	12.83MM OD X 1.78MM

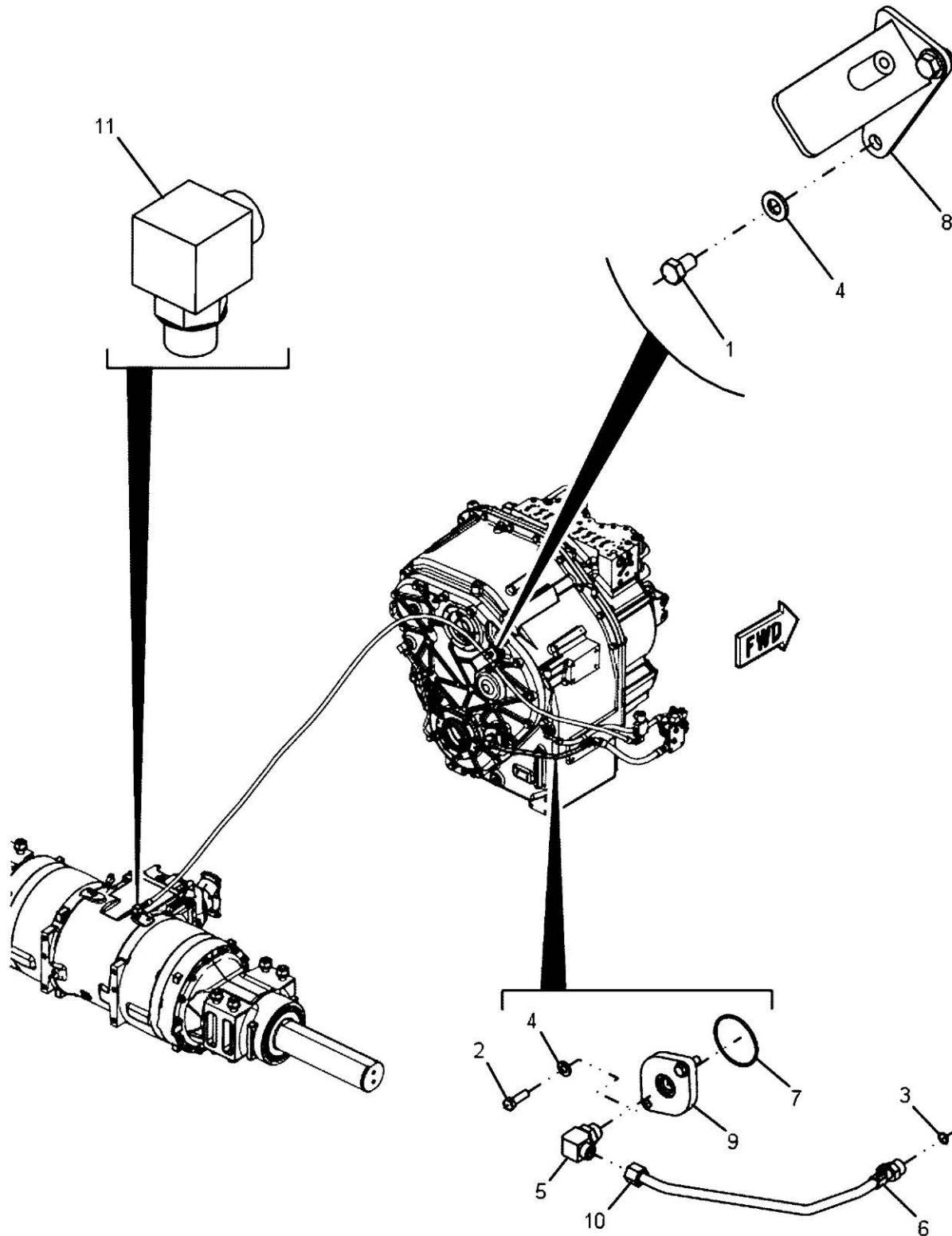
565692D1-3



565692D1 - COMPLETING ARRANGEMENT - TRANSMISSION

ITEM	PART NUMBER	QTY	DESCRIPTION COMMENTS	TECHNICAL SPECIFICATION
1	400088X1	12	HEXAGONAL HEAD BOLT	M16 X 2 X 30MM, CL9
2	400323X1	1	DUST CAP	12.6MM OD
3	401057X1	2	ADAPTER	-16 STOR X -16 ORFS, SPL
	400123X1	1	O-RING	27.22MM OD X 1.78MM
	400376X1	1	O-RING	29.74MM ID X 2.95MM
	CH6V-8398	1	O-RING	16.03MM OD X 1.78MM
4	401289X1	1	ELBOW FITTING	9/16-18 MORB X 9/16-18 MORFS
	400318X1	1	O-RING	11.89MM ID X 1.98MM
	400377X1	1	O-RING	11.23MM OD X 1.78MM
5	401643X1	1	ELBOW	-12STOR X -12NPTF, W/-6STOR
	400416X1	1	O-RING	23.47MM ID X 2.95MM
6	402294X1	2	CABLE TIE	390MM X 7.6MM
7	506678D1	1	BREATHER VENT	
8	507468D1	1	BRACKET	
9	507470D1	1	BRACKET	
10	566058D1	1	HOSE SUPPORT BRACKET	
11	566106D1	1	HOSE SUPPORT BRACKET	
12	576309D1	1	BRACKET	
13	576310D1	1	HOSE	3.2MM X 728MM
14	CH8T-4122	1	FLAT WASHER	17MM X 32MM X 3.5MM
15	CH148-8335	4	CONNECTOR	16 STOR X 16 ORFS
	400123X1	1	O-RING	27.22MM OD X 1.78MM
	400376X1	1	O-RING	29.74MM ID X 2.95MM

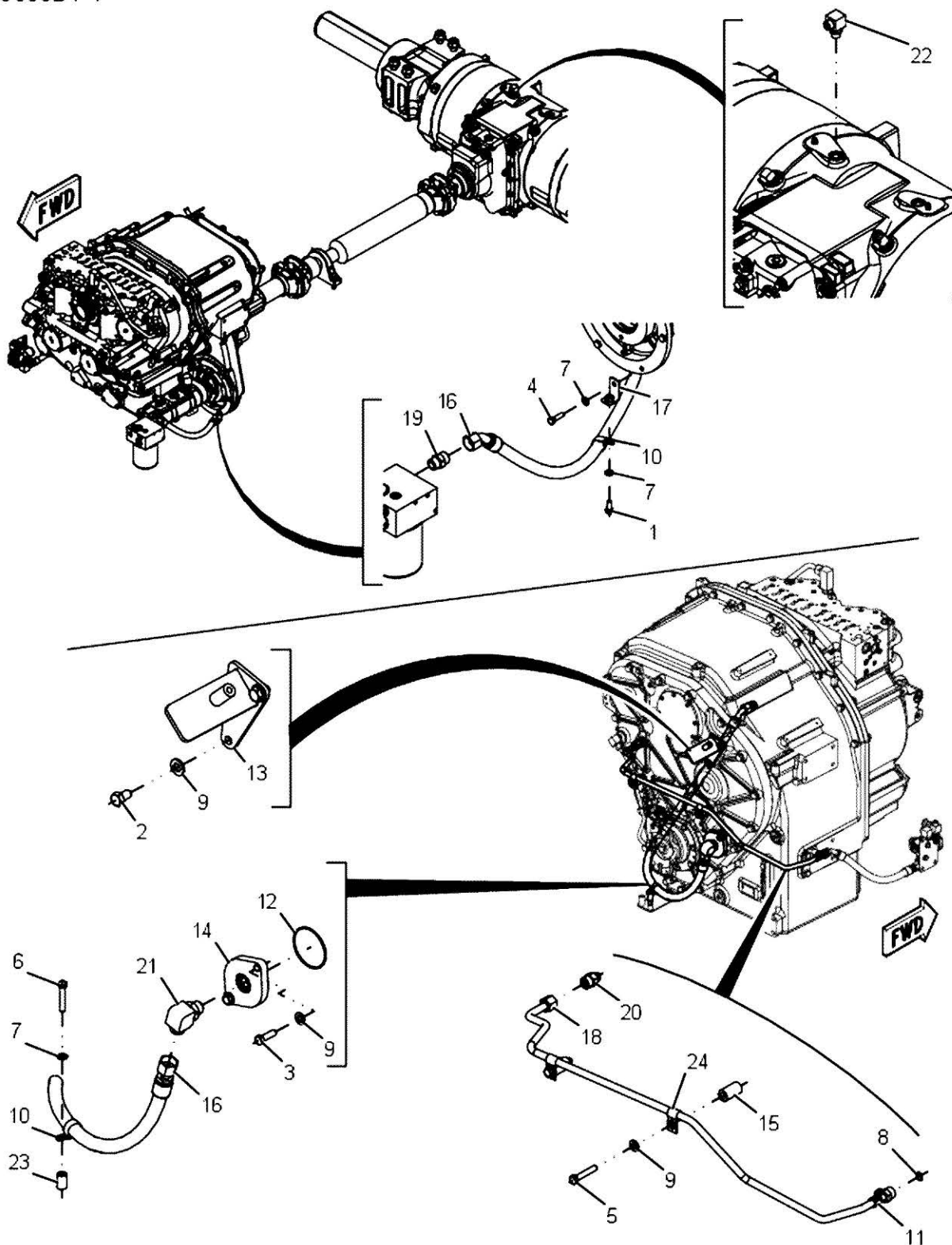
574134D1-2



574134D1 - LINES SUPPORT GROUP - WITHOUT POWER TAKE OFF

ITEM	PART NUMBER	QTY	DESCRIPTION COMMENTS	TECHNICAL SPECIFICATION
1	400047X1	2	HEXAGONAL HEAD BOLT	M12 X 1.75 X 20MM
2	400050X1	2	HEXAGONAL HEAD BOLT	M12 X 1.75 X 40MM, CL10.9
3	400322X1	1	O-RING	19.28MM OD X 1.78MM
4	400357X1	4	FLAT WASHER	M12 X 25.5 X 3MM
5	400410X1	1	ELBOW FITTING	-12 STOR X -10 ORFS
	400322X1	1	O-RING	19.28MM OD X 1.78MM
	400416X1	1	O-RING	23.47MM ID X 2.95MM
6	400702X1	1	P-CLIP	15.8MM ID
7	401796X1	1	O-RING SEAL	85.32MM X 3.53MM
8	512538D1	1	BRACKET	
9	519886D1	1	COVER PLATE	
10	574136D1	1	BRAKE LINE	12.58MM X 364.2MM
11	CH148-8364	1	ELBOW FITTING	3/4"-16 X 13/16"-16
	CH6V-8398	1	O-RING	16.03MM OD X 1.78MM
	CH3K-0360	1	O-RING	16.36MM ID X 2.21MM

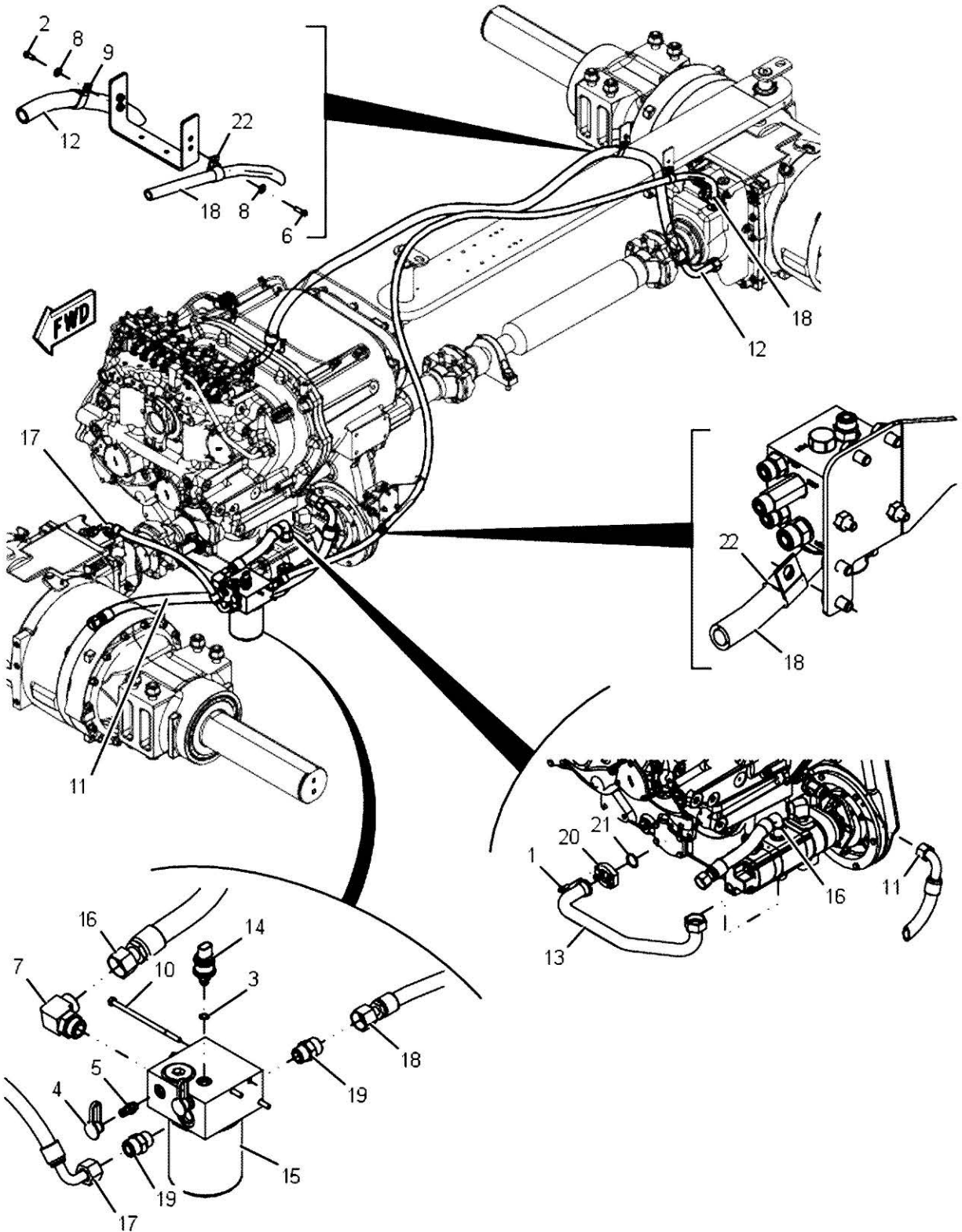
593663D1-1-



593663D1 - AXLE LUBE LINES GROUP, WITHOUT PTO

ITEM	PART NUMBER	QTY	DESCRIPTION COMMENTS	TECHNICAL SPECIFICATION
1	400039X1	1	HEXAGONAL HEAD BOLT	M10 X 1.5 X 25MM, CL10.9
2	400047X1	2	HEXAGONAL HEAD BOLT	M12 X 1.75 X 20MM
3	400050X1	2	HEXAGONAL HEAD BOLT	M12 X 1.75 X 40MM, CL10.9
4	400059X1	1	HEXAGONAL HEAD BOLT	M10 X 1.5 X 35MM, CL10.9
5	400062X1	2	HEXAGONAL HEAD BOLT	M12 X 1.75 X 70MM, CL10.9
6	400239X1	1	HEXAGONAL HEAD BOLT	M10 X 1.5 X 60MM, CL10.9
7	400287X1	3	FLAT WASHER	11MM X 21MM X 2.5MM
8	400322X1	1	O-RING	19.28MM OD X 1.78MM
9	400357X1	6	FLAT WASHER	M12 X 25.5 X 3MM
10	400700X1	2	P-CLIP	28.58 ID
11	400702X1	1	P-CLIP	15.8MM ID
12	401796X1	1	O-RING SEAL	85.32MM X 3.53MM
13	512538D1	1	BRACKET	
14	519886D1	1	COVER PLATE	
15	526156D1	2	SPACER	
16	593641D1	1	HYDRAULIC HOSE	
17	593657D1	1	BRACKET	ASM
18	593665D1	1	TUBE	-BRAKE RETURN,W/O PTO
19	CH148-8327	1	ADAPTER FITTING	12 ORFS X 12 STOR, W/O-RINGS
	400416X1	1	O-RING	23.47MM ID X 2.95MM
	400366X1	1	O-RING	22.5MM OD X 1.78MM
20	CH148-8342	1	CONNECTOR	
	400322X1	1	O-RING	19.28MM OD X 1.78MM
	CH3K-0360	1	O-RING	16.36MM ID X 2.21MM
21	CH148-8347	1	ELBOW FITTING	1-1/16"-12 X 1-3/16"-12
	400416X1	1	O-RING	23.47MM ID X 2.95MM
	400366X1	1	O-RING	22.5MM OD X 1.78MM
22	CH148-8364	1	ELBOW FITTING	3/4"-16 X 13/16"-16
	CH6V-8398	1	O-RING	16.03MM OD X 1.78MM
	CH3K-0360	1	O-RING	16.36MM ID X 2.21MM
23	CH213-9822	1	SPACER	11MM ID X 20MM OD X 31MM
24	CH4K-8302	2	CLIP	15.88MM ID

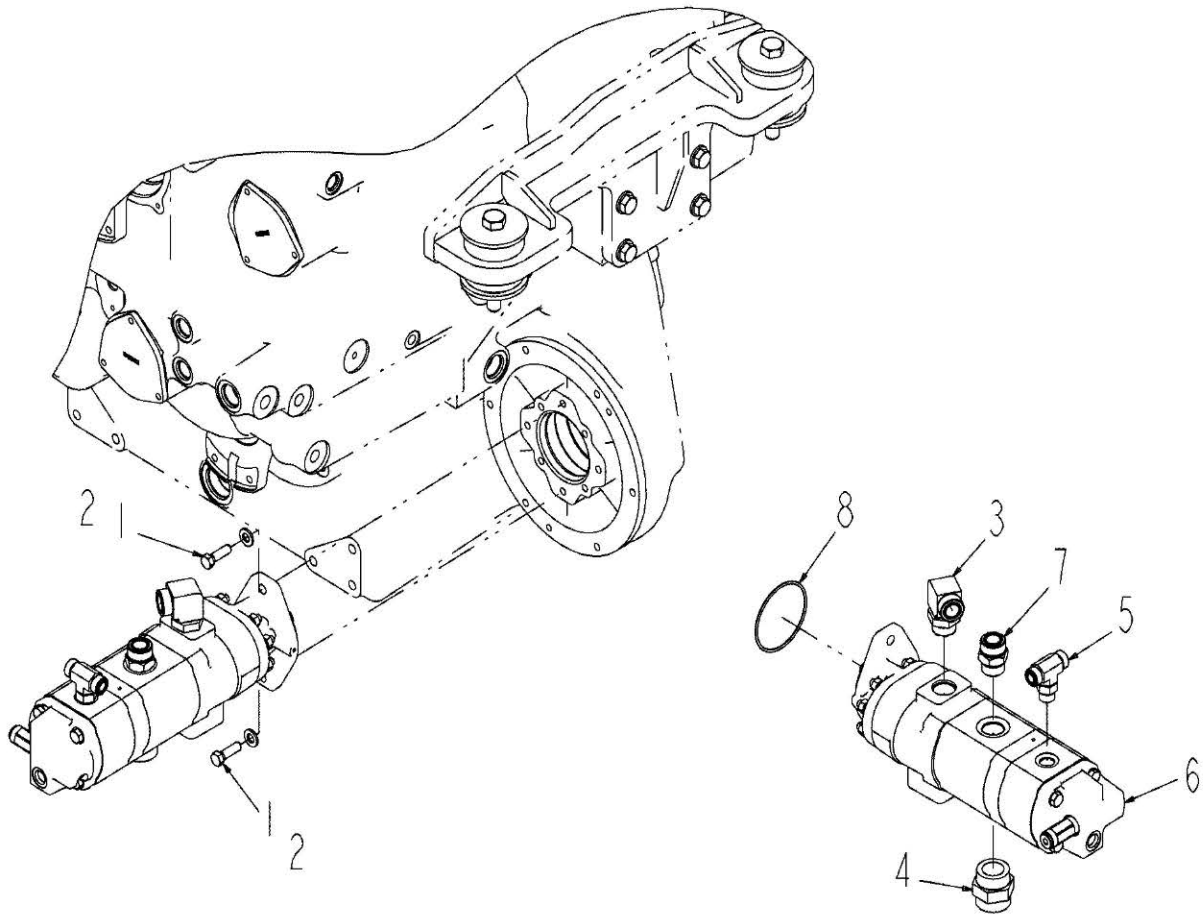
593640D1-1-



593640D1 - AXLE LUBE LINES GROUP

ITEM	PART NUMBER	QTY	DESCRIPTION COMMENTS	TECHNICAL SPECIFICATION
1	400039X1	4	HEXAGONAL HEAD BOLT	M10 X 1.5 X 25MM, CL10.9
2	400053X1	1	HEXAGONAL HEAD BOLT	M8 X 1.25 X 20MM, CL10.9
3	400318X1	1	O-RING	11.89MM ID X 1.98MM
4	400323X1	2	DUST CAP	12.6MM OD
5	400324X1	2	QUICK COUPLER NIPPLE	9/16"-18, -6 STOR
	400318X1	1	O-RING	11.89MM ID X 1.98MM
6	400341X1	1	HEXAGONAL HEAD BOLT	M8 X 1.25 X 25MM
7	400580X1	1	ELBOW FITTING	16 STOR X 16 ORFS, 90D
	400123X1	1	O-RING	27.22MM OD X 1.78MM
	400376X1	1	O-RING	29.74MM ID X 2.95MM
8	400599X1	2	FLAT WASHER	M8 X 20.5MM OD X 2MM THK
9	400689X1	1	P-CLIP	38.1MM OD X 22MM
10	401746X1	3	BOLT	
11	508972D1	1	HOSE	
12	508973D1	1	HOSE	
13	512352D1	1	TUBE	
14	517959D1	1	PRESSURE SWITCH	8 PSI
	400460X1	1	CONNECTOR	
15	520114D1	1	FILTER BLOCK AXLE LUBE	
	525553D1	1	CAVITY PLUG	
	AG609431	1	OIL FILTER ELEMENT	
	520003D1	1	RELIEF VALVE	
16	564545D1	1	SUPPLY HOSE	25.4MM X 390MM
17	564546D1	1	LUBE HOSE	16MM X 638MM
18	564547D1	1	LUBE HOSE	16MM X 3599MM
19	CH148-8327	2	ADAPTER FITTING	12 ORFS X 12 STOR, W/O-RINGS
	400416X1	1	O-RING	23.47MM ID X 2.95MM
	400366X1	1	O-RING	22.5MM OD X 1.78MM
20	CH1P-4578	2	FLANGE	
21	CH4J-0522	1	O-RING	37.69MM ID X 3.53MM
22	CH4S-1962	2	P-CLIP	25.4MM ID

575578D1-1-AA756-



575578D1 - HYDRAULIC PUMP ARRANGEMENT - TRANSMISSION

ITEM	PART NUMBER	QTY	DESCRIPTION COMMENTS	TECHNICAL SPECIFICATION
1	400050X1	2	HEXAGONAL HEAD BOLT	M12 X 1.75 X 40MM, CL10.9
2	400357X1	2	FLAT WASHER	M12 X 25.5 X 3MM
3	400580X1	1	ELBOW FITTING	16 STOR X 16 ORFS, 90D
	400376X1	1	O-RING	29.74MM ID X 2.95MM
	400123X1	1	O-RING	27.22MM OD X 1.78MM
4	401109X1	1	CONNECTOR	
	401111X1	1	O-RING	37.8MM ID X 1.78MM DIA
	CH6K-6307	1	O-RING	43.69MM ID X 3MM
5	401390X1	1	TEE FITTING	
	400319X1	1	O-RING	19.18MM ID X 2.46MM
	400322X1	1	O-RING	19.28MM OD X 1.78MM
6	526310D1	1	PUMP SEE PAGE 08-0036	
7	CH148-8335	1	CONNECTOR	16 STOR X 16 ORFS
	400376X1	1	O-RING	29.74MM ID X 2.95MM
	400123X1	1	O-RING	27.22MM OD X 1.78MM
8	CH2H-3934	1	O-RING	98.02MM ID X 3.53MM